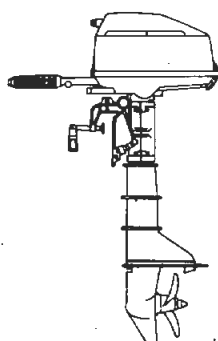


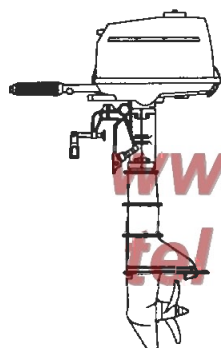
# TOMOS

TX 4S  
TX 4L



240.700  
240.701

TX 4RS  
TX 4RL



240.702  
240.703

TX 4RNS  
TX 4RNL



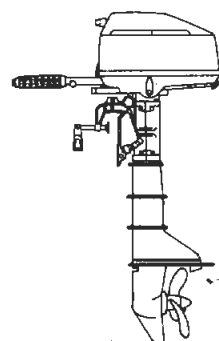
240.704  
240.705

TX 4.5S  
TX 4.5L



240.706  
240.707

TX 4.8S  
TX 4.8L



240.708  
240.709

[www.agmoto.hr](http://www.agmoto.hr)  
tel 051-584-123

## LEGENDA LEGENDE

● KOMPLET  
COMPLET  
COMPLET  
COMPLETO

○ SPADA K KOMPLETU  
WITH THE COMPLET  
AVEC DE COMPLET  
CON IL COMPLETO

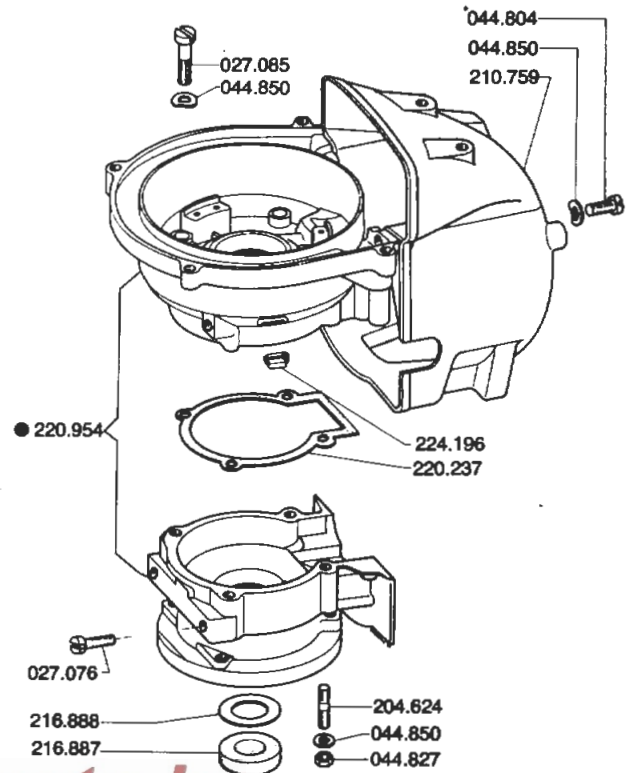
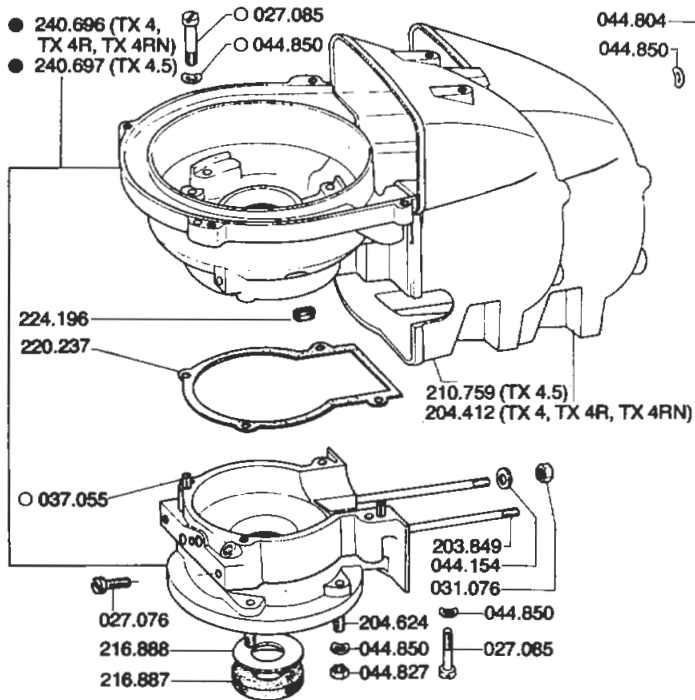
**1990**  
rezervni deli  
spare parts  
pièces détachées  
parti di ricambio

OHIŠJE MOTORJA, HLADILNA KAPA  
 CRANKCASE, BLOWER HOOD  
 CARTER DE MOTEUR, CAPOT DE VENTILATEUR  
 CARTER MOTORE, CAPOTTATURA DI RAFFREDDAMENTO

A

(TX 4, TX 4R, TX 4RN, TX 4.5)

(TX 4.8)



[www.agmoto.hr](http://www.agmoto.hr)

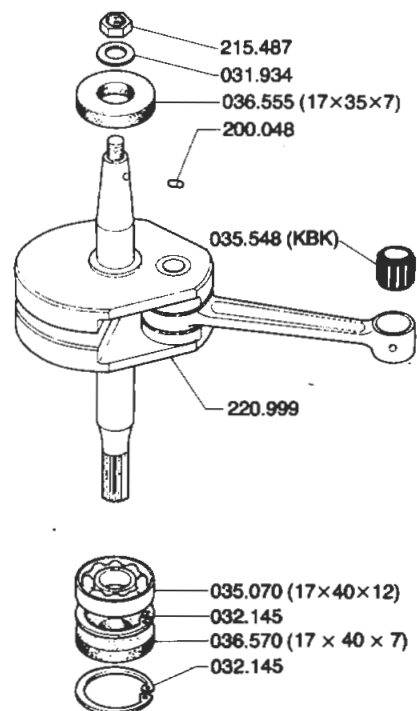
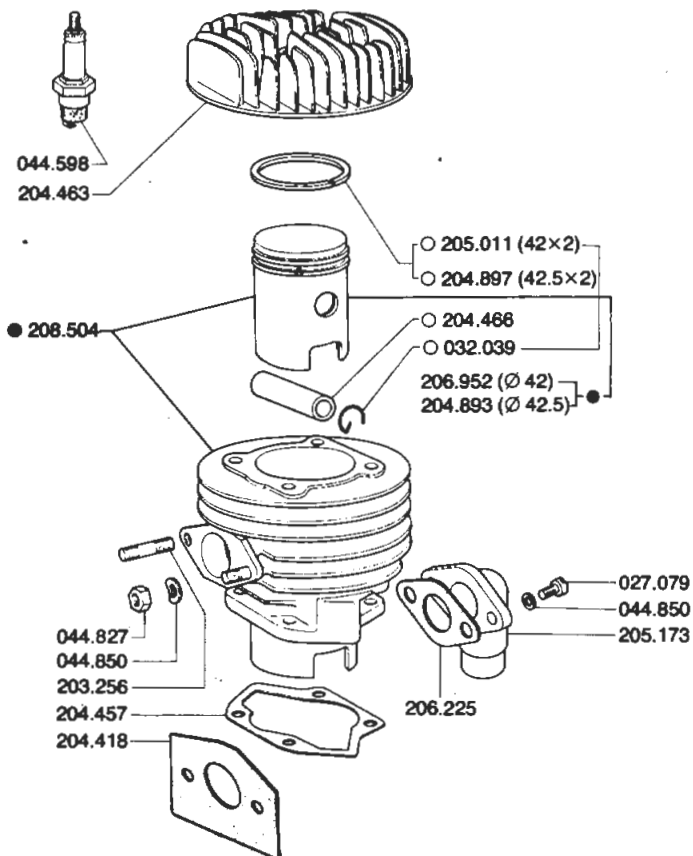
tel 051-584-122

VALJ, GLAVA VALJA, BAT, SVEČKA  
 CYLINDER, CYLINDER HEAD, PISTON, SPARK PLUG  
 CYLINDRE, CULASSE, PISTON, BOUGIE  
 CILINDRO, TESTATA, PISTONE, CANDELA

MOTORNA GRED  
 CRANKSHAFT  
 VILEBREQUIN  
 ALBERO MOTORE

B

(TX 4, TX 4R, TX 4RN, TX 4.5)

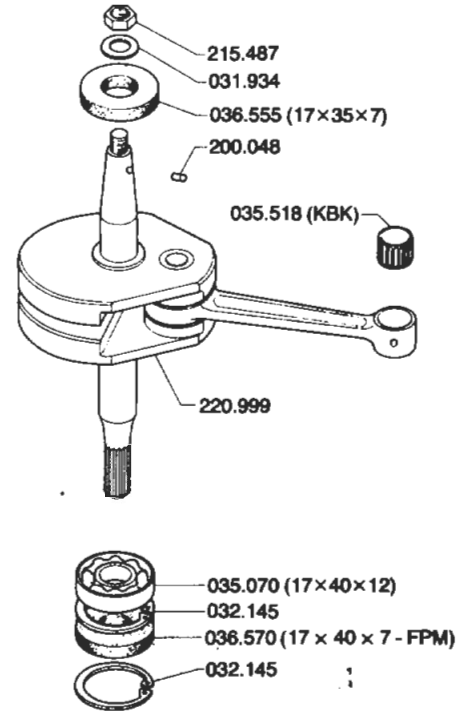
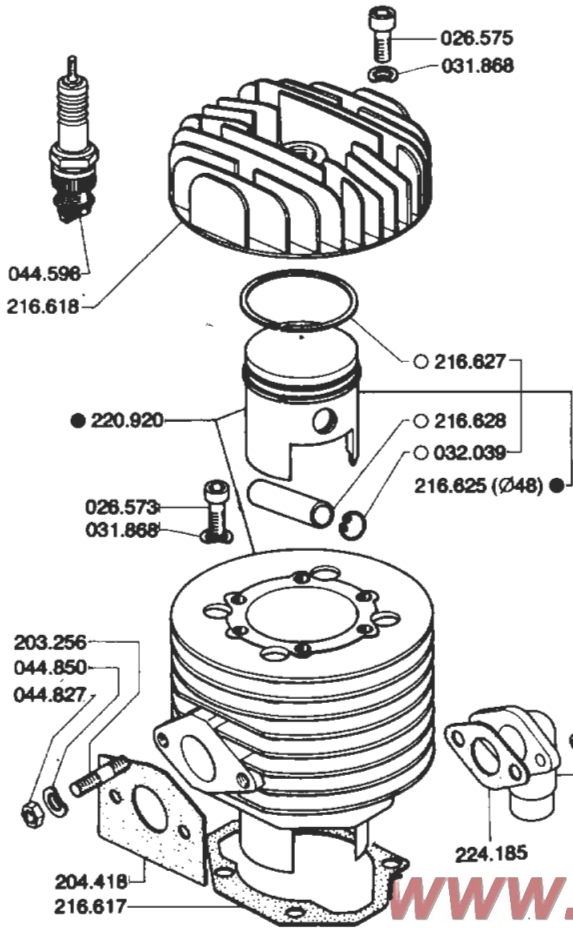


VALJ, GLAVA VALJA, BAT, SVEČKA  
 CYLINDER, CYLINDER HEAD, PISTON, SPARK PLUG  
 CILINDRE, CULASSE, PISTON, BOUGIE  
 CILINDRO, TESTATA, PISTONE, CANDELA

(TX 4.8)

MOTORNA GRED  
 CRANKSHAFT  
 VILEBREQUIN  
 ALBERO MOTORE

C



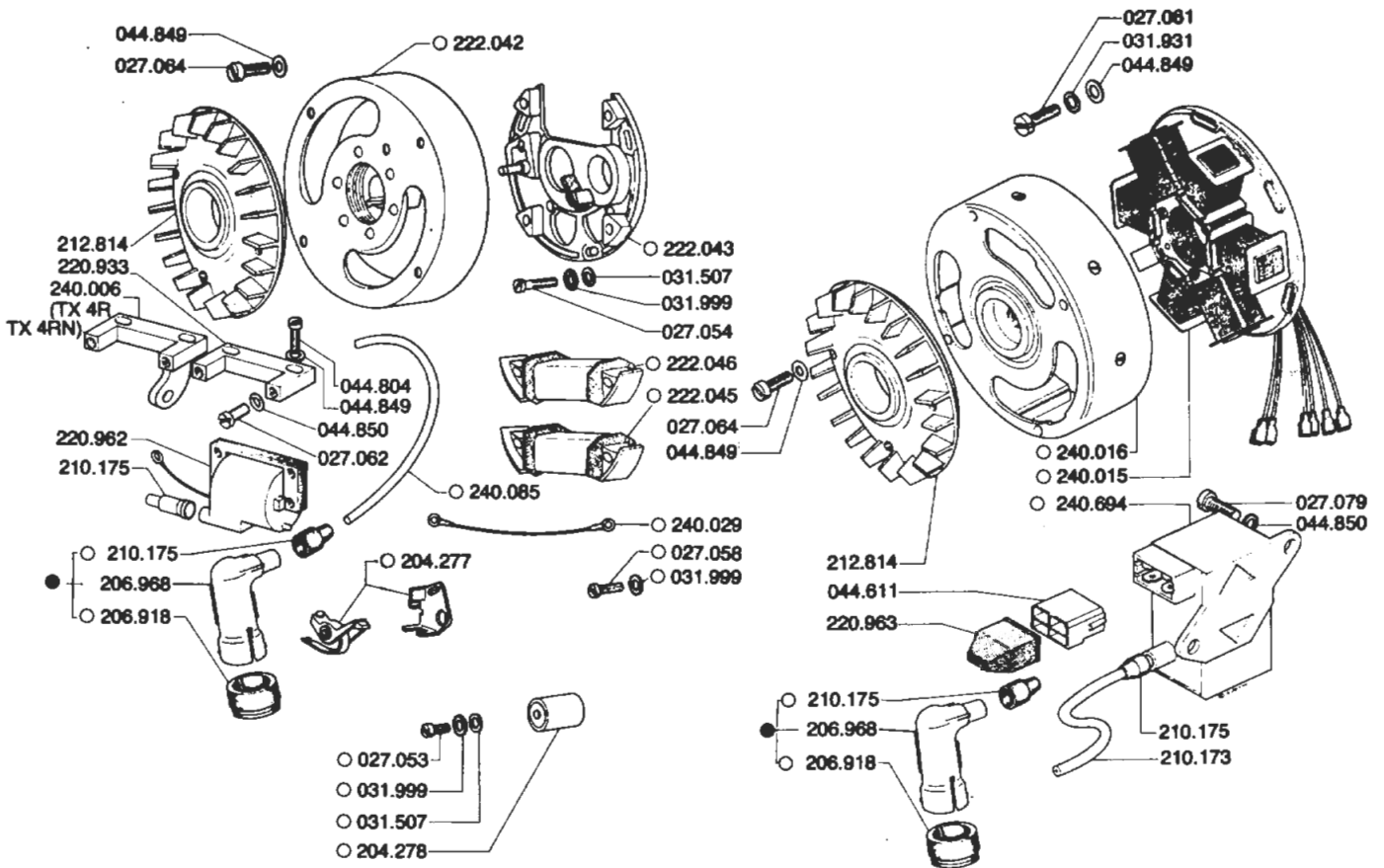
[www.agmoto.hr](http://www.agmoto.hr)  
 tel 051-584-123

MAGNETNI VŽIGALNIK  
 GENERATOR  
 DYNAMO  
 DINAMO

● 220.931 (TX 4, TX 4R, TX 4RN)

● 240.723 (TX 4.5, TX 4.8)

Č



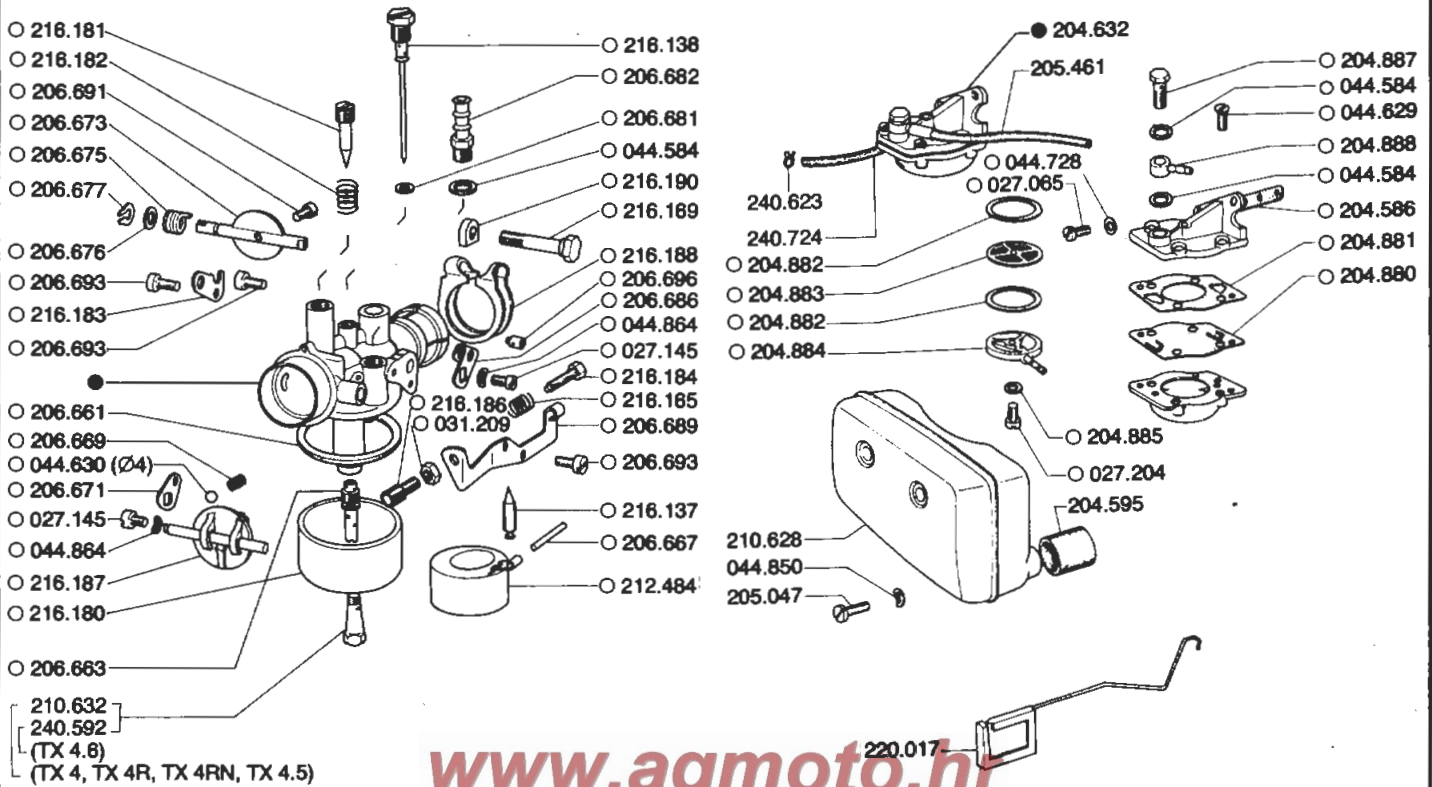
UPLINJAČ BING  
 CARBURETTOR BING  
 CARBURATEUR BING  
 CARBURATORE BING

- 212.641 (TX 4, TX 4R, TX 4RN, TX 4.5) - BING 8A 15.5/202
- 240.531 (TX 4.8) - BING 8A 15.5/211

ČRPALKA ZA GORIVO  
 FUEL PUMP  
 POMPE A ESSENCE  
 POMPA CARBURANTE

- (TX 4, TX 4R, TX 4RN, TX 4.5, TX 4.8)

D



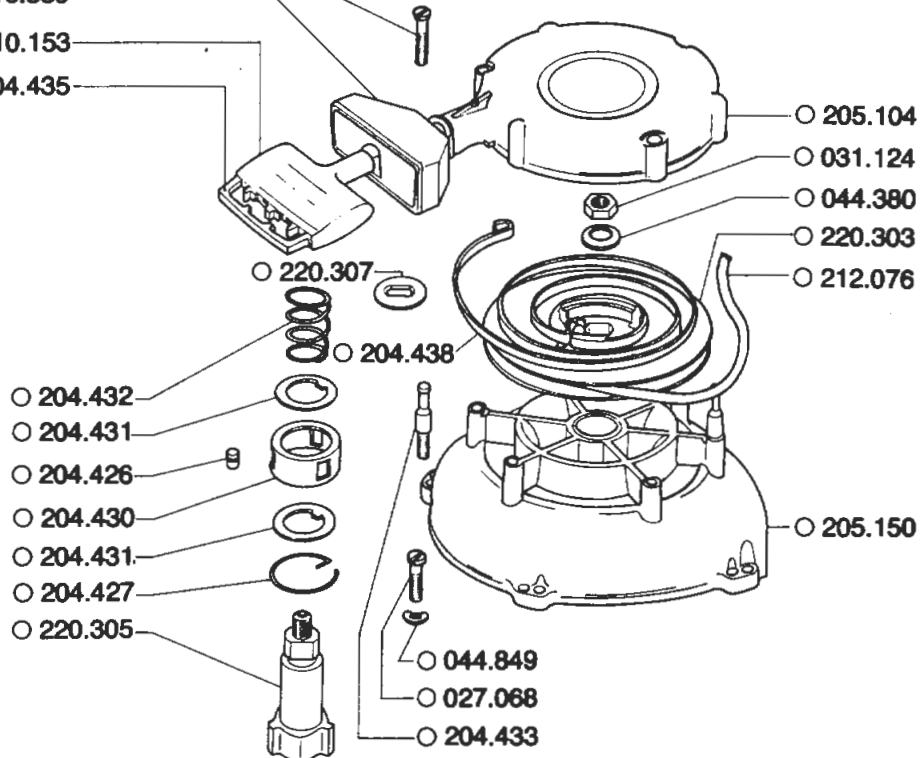
[www.agmoto.hr](http://www.agmoto.hr)  
 tel 051-584-123

ZAGANJALNA NAPRAVA,  
 STARTER DEVICE,  
 LANCEUR MANUEL,  
 DISPOSITIVO D'AVVIAMENTO,

- (TX 4, TX 4R, TX 4RN, TX 4.5, TX 4.8)

- 216.947

- 044.424
- 216.889
- 210.153
- 204.435

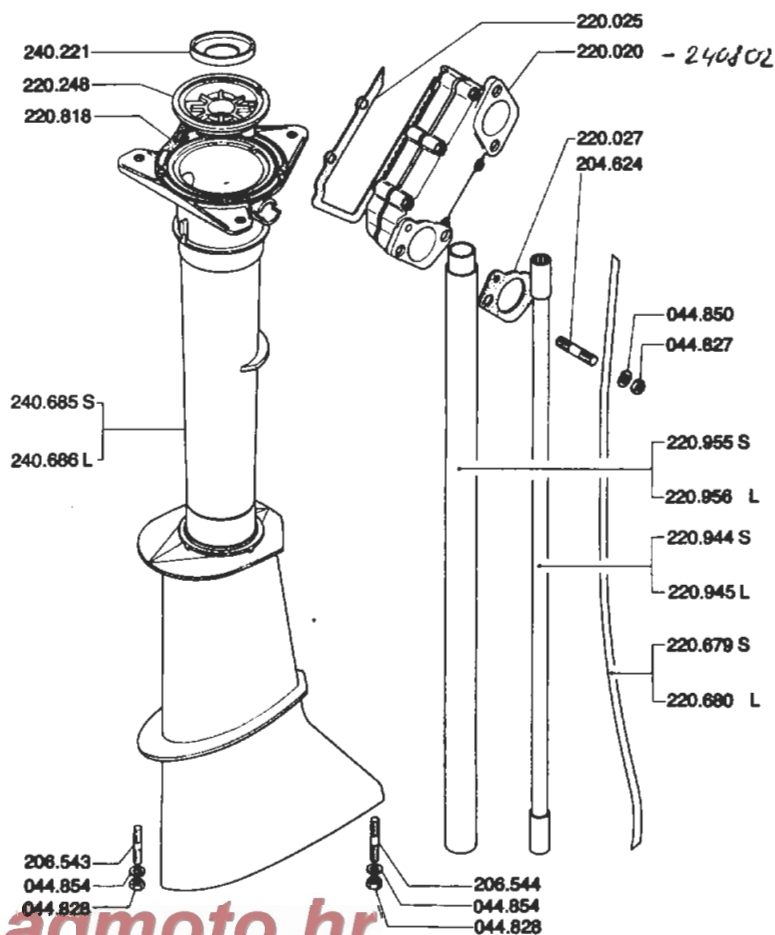


E

SPOJNO OHIŠJE, SPOJNA GRED, IZPUŠNO KOLENO  
 JOINT HOUSING, CONNECTION SHAFT, EXHAUST ELBOW  
 CARTER ET ARBRE DE LIAISON, COUDE D'ÉCHAPPEMENT  
 CARTER SUPPORTO MOTORE, ALBERO UNIONE, MARMITA

F

(TX 4, TX 4R)

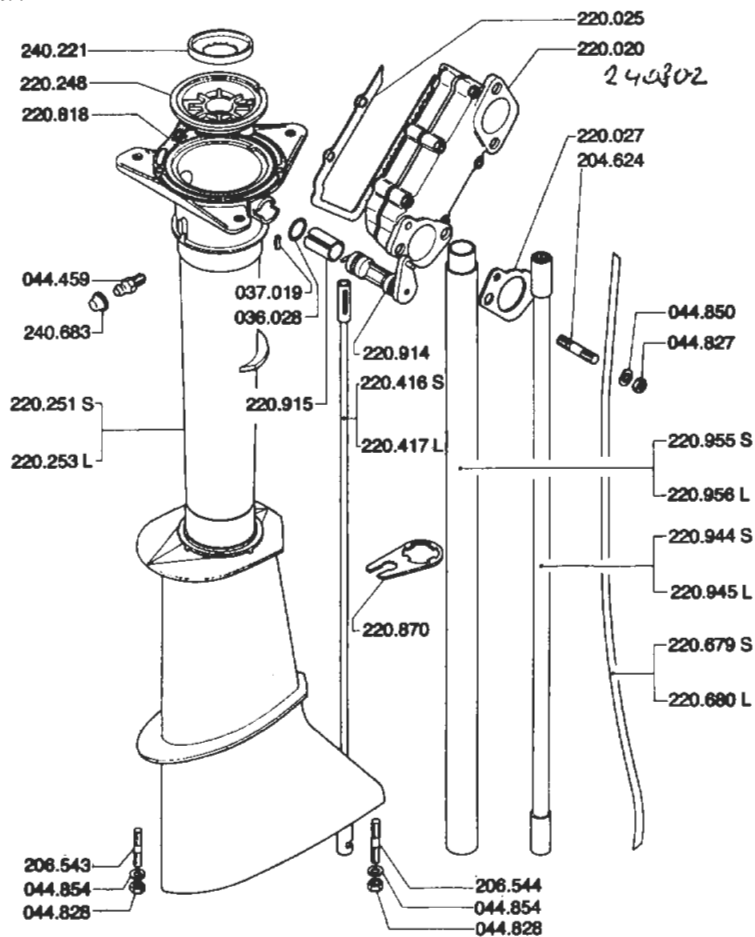


[www.agmoto.hr](http://www.agmoto.hr)

SPOJNO OHIŠJE, SPOJNA GRED, IZPUŠNO KOLENO  
 JOINT HOUSING, CONNECTION SHAFT, EXHAUST ELBOW  
 CARTER ET ARBRE DE LIAISON, COUDE D'ÉCHAPPEMENT  
 CARTER SUPPORTO MOTORE, ALBERO UNIONE, MARMITA

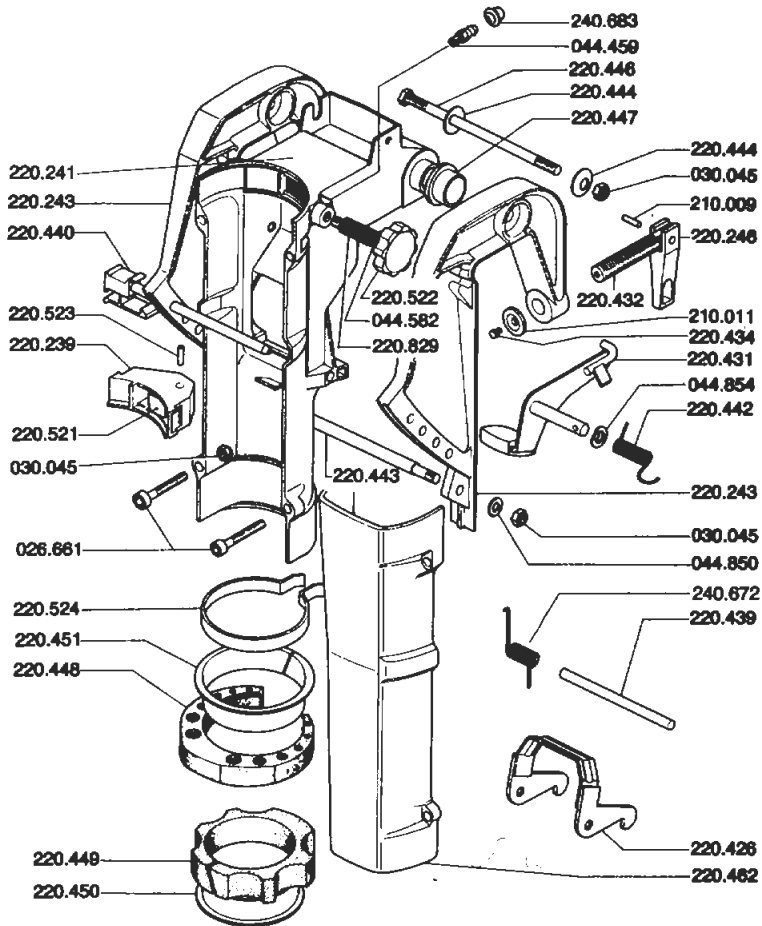
G

(TX 4RN, TX 4.5, TX 4.8)



ČELJUSTI ZA PRITRJEVANJE  
STERN BRACKETS  
SUPPORT  
STAFFA

(TX 4, TX 4R, TX 4RN)

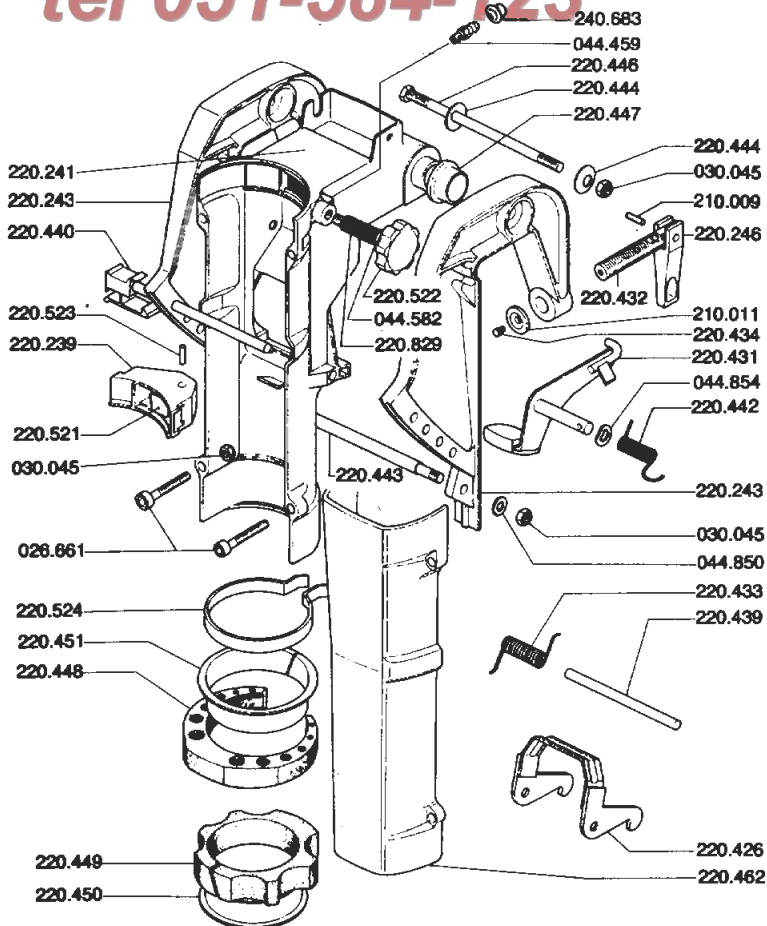


[www.agmoto.hr](http://www.agmoto.hr)

tel 051-584-123

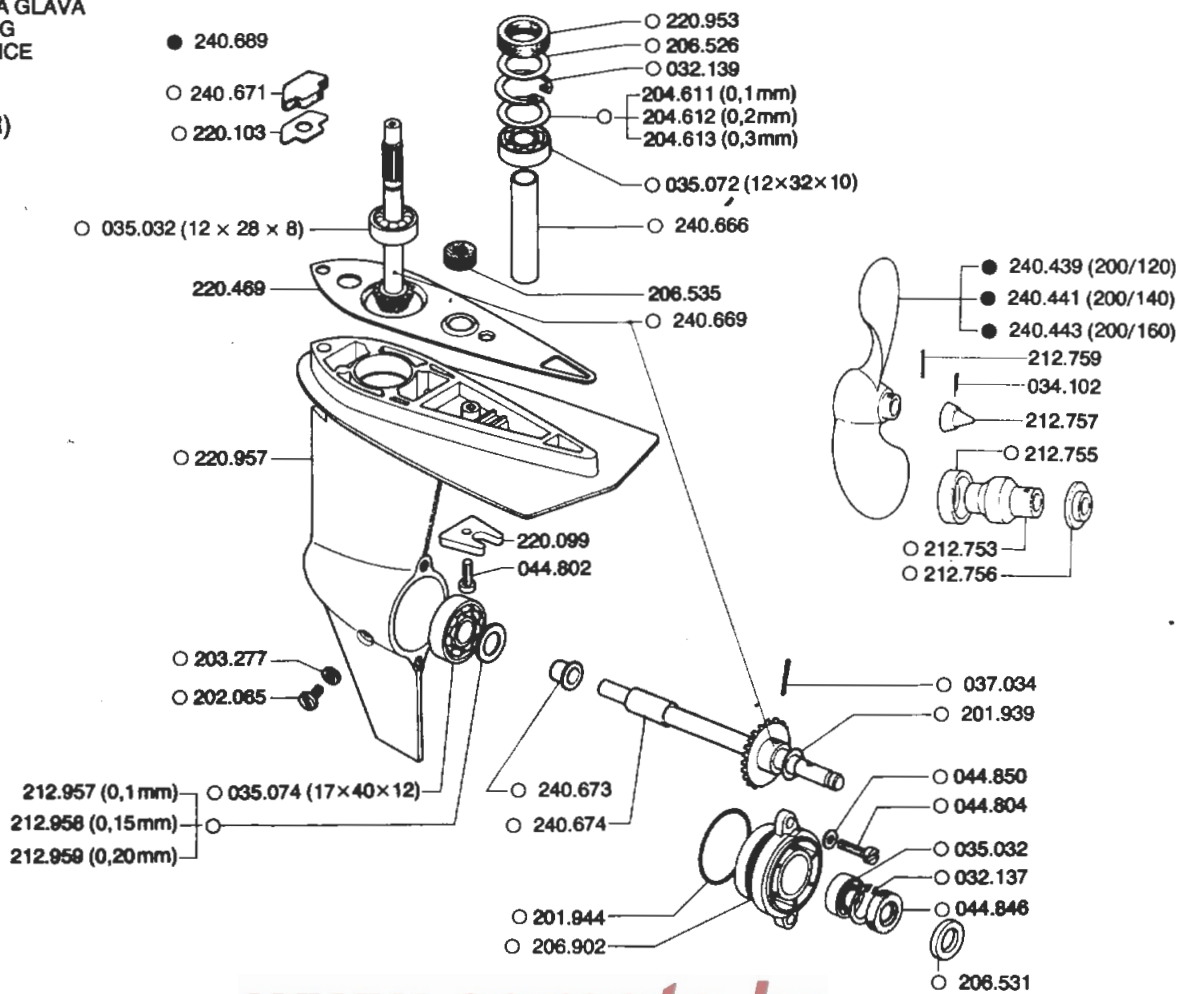
ČELJUSTI ZA PRITRJEVANJE  
STERN BRACKETS  
SUPPORT  
STAFFA

(TX 4.5, TX 4.8)



PROPELERSKA GLAVA  
GEAR HOUSING  
BOITER D'HELICE  
PIEDE ELICA

(TX 4, TX 4R)

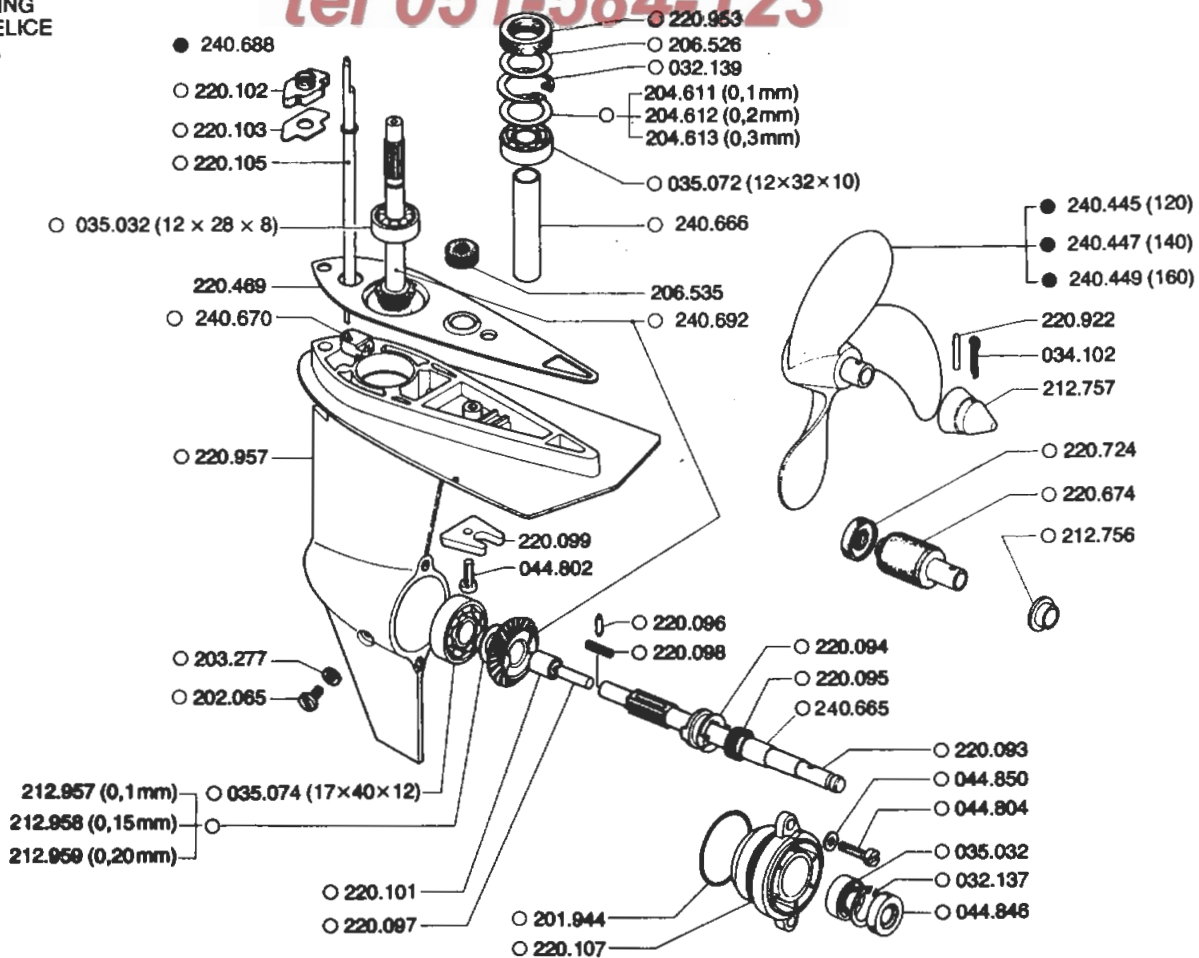


[www.agmoto.hr](http://www.agmoto.hr)

tel 051-584-123

PROPELERSKA GLAVA  
GEAR HOUSING  
BOITER D'HELICE  
PIEDE ELICA

(TX 4RN)

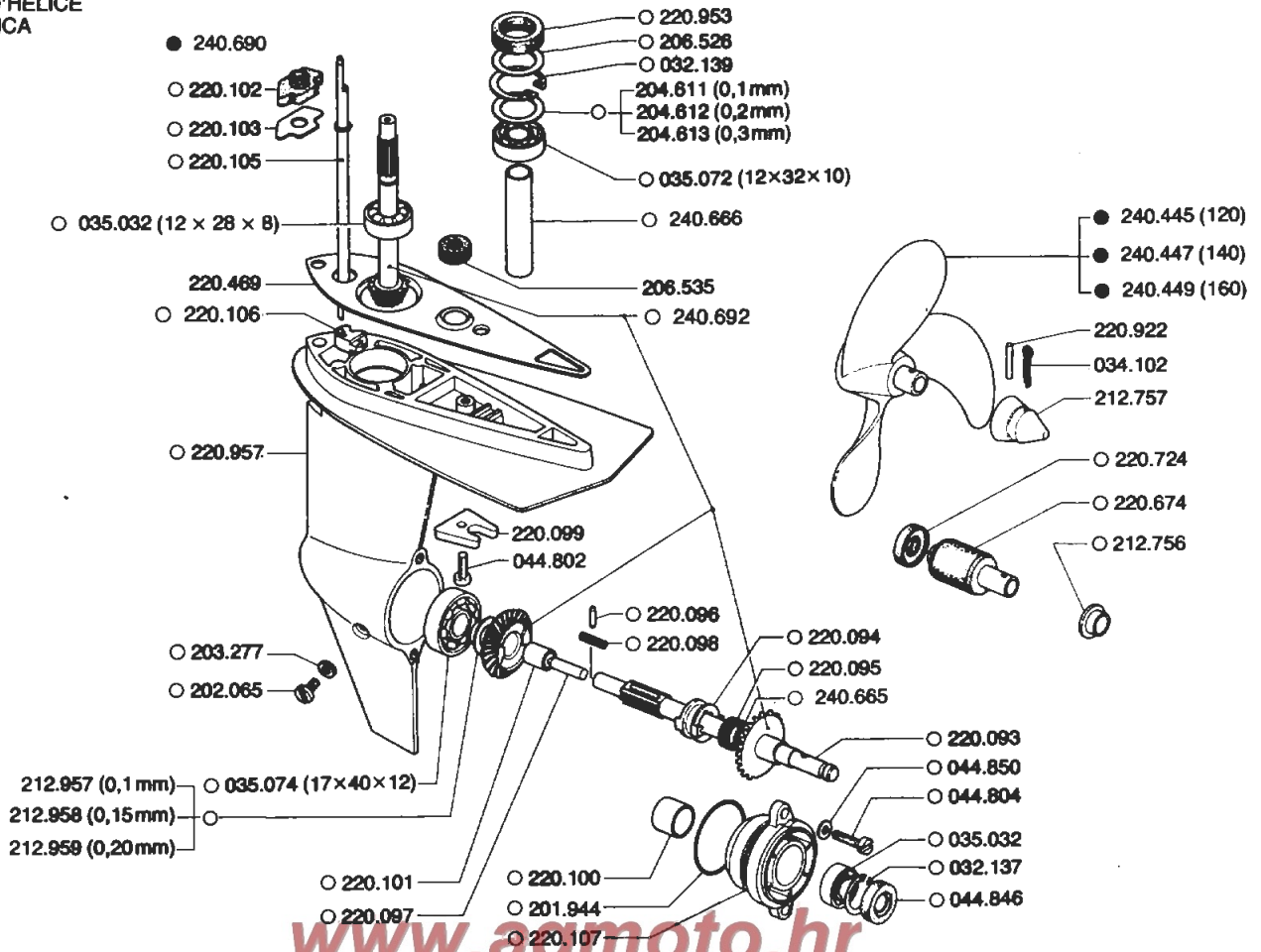


J

K

PROPELERSKA GLAVA  
GEAR HOUSING  
BOITER D'HELICE  
PIEDE ELICA

(TX 4.5)

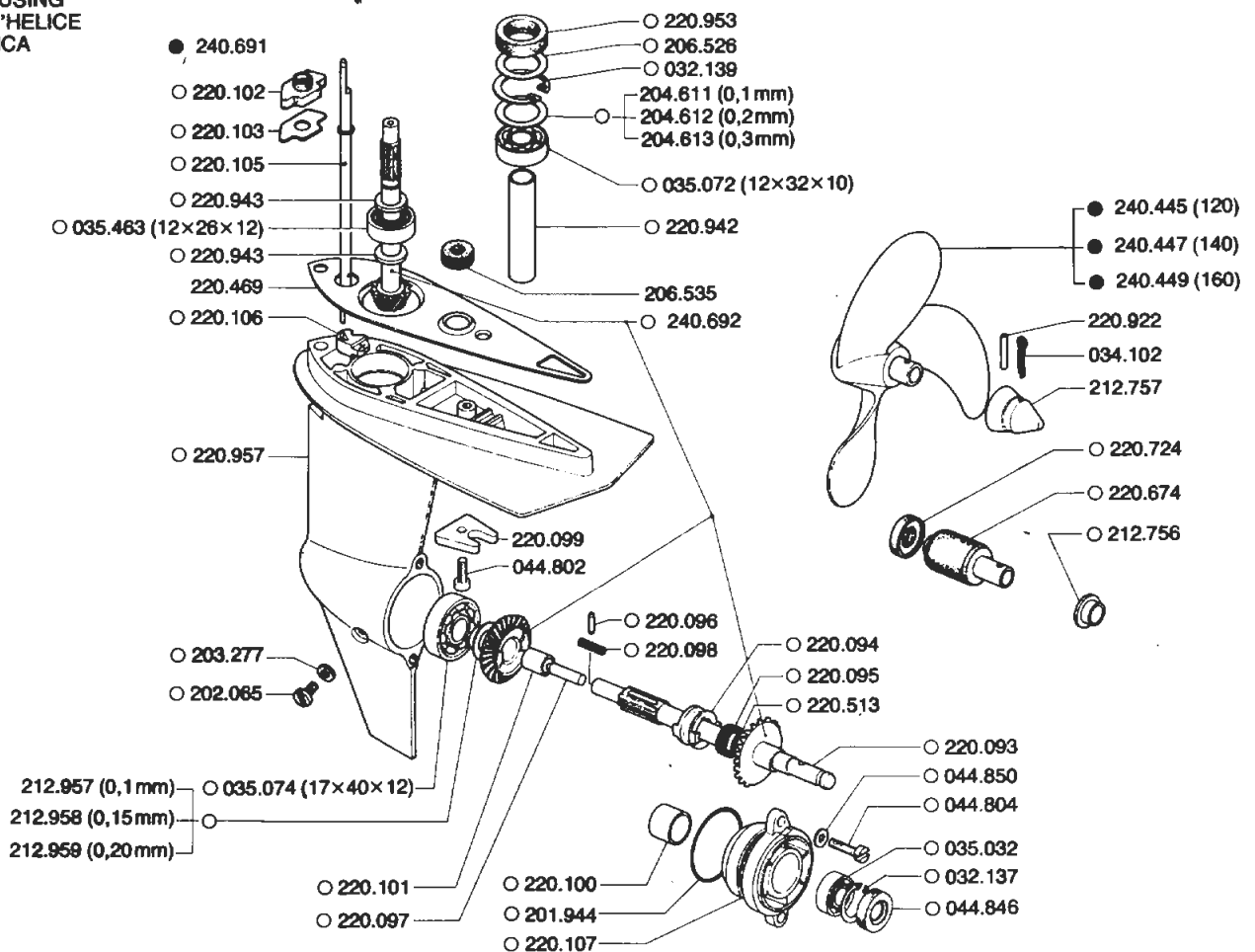


[www.agmoto.hr](http://www.agmoto.hr)

tel 051-584-123

PROPELERSKA GLAVA  
GEAR HOUSING  
BOITER D'HELICE  
PIEDE ELICA

(TX 4.8)

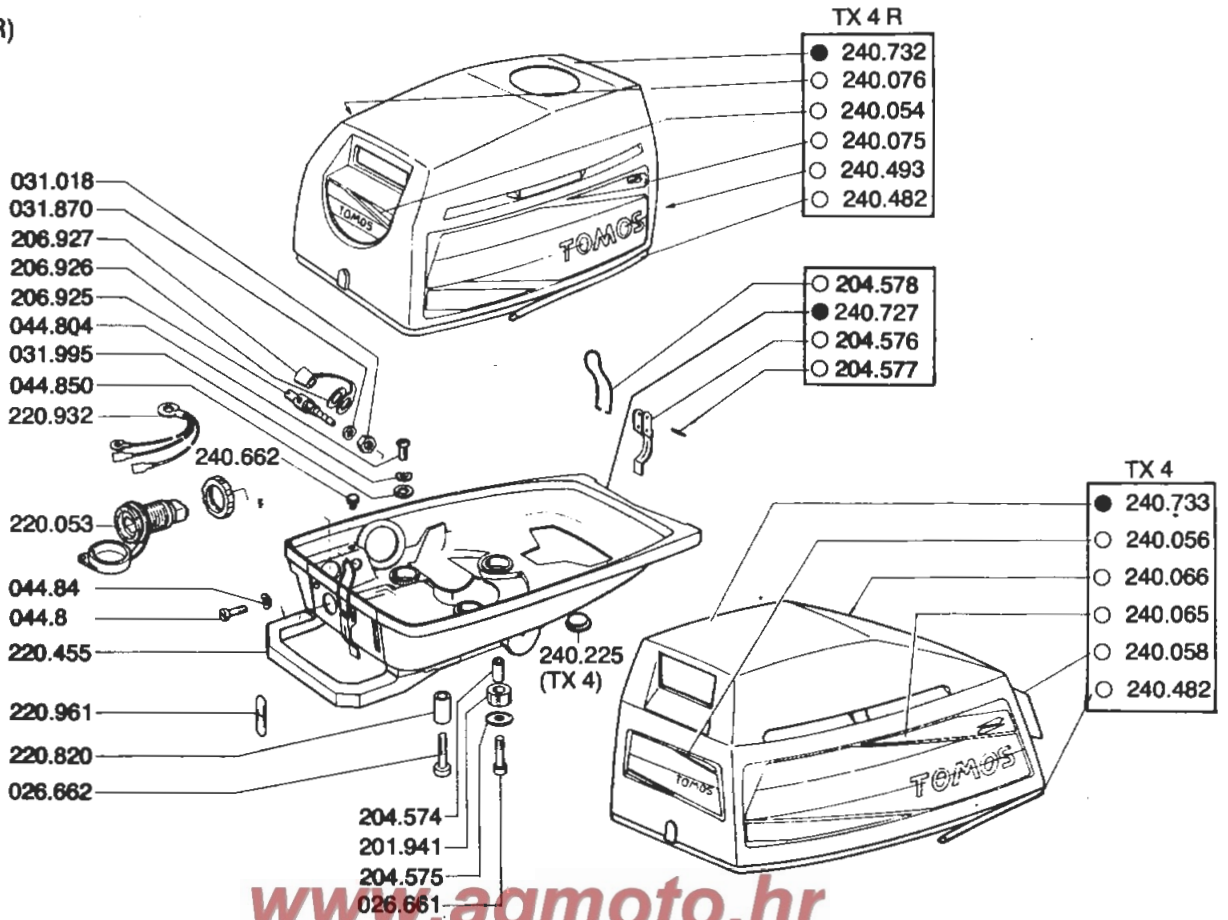


M



OKROV MOTORJA, DNO OKROVA, VTIČNA PUŠA,  
 ENGINE COVER, ENGINE COVER CARRIER, PLUG SOCKET,  
 CAPOT DE MOTEUR, SUPPORT, CONTACT FICHE,  
 CAPOTTA DEL MOTORE, BACINELLA, CONTATTO A SPINA,

(TX 4, TX 4R)

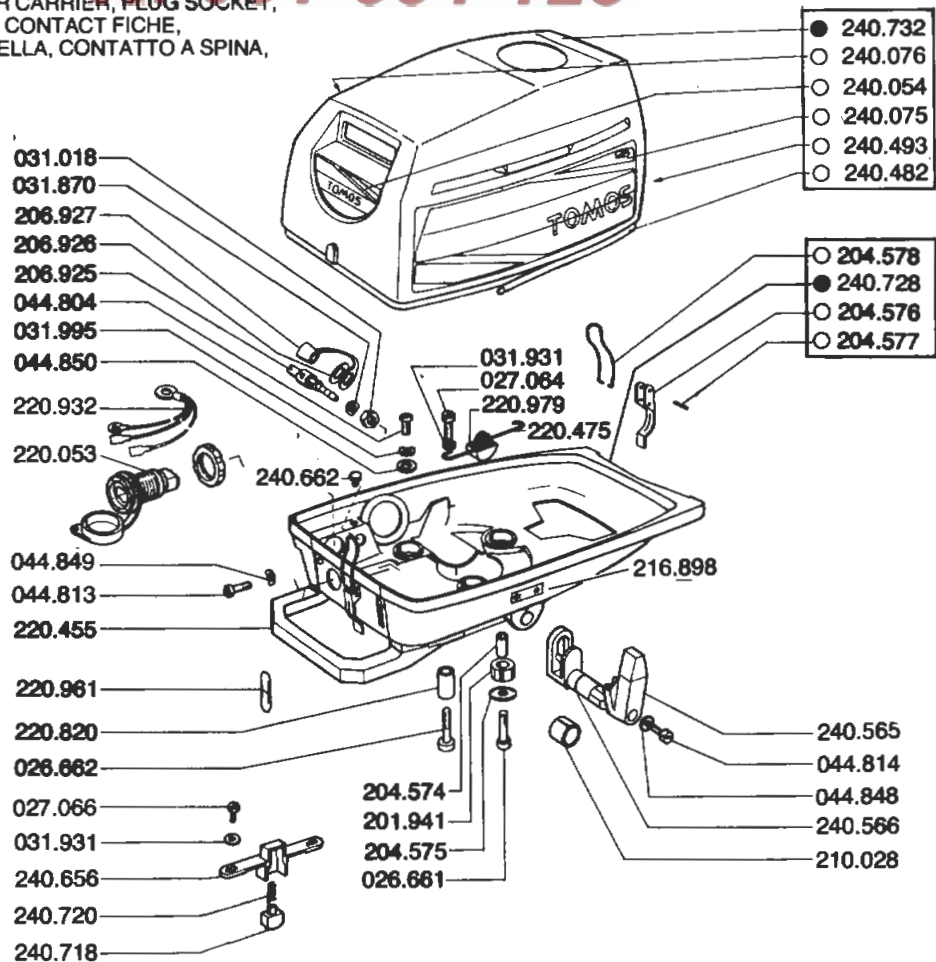


[www.agmoto.hr](http://www.agmoto.hr)

tel 051-584-123

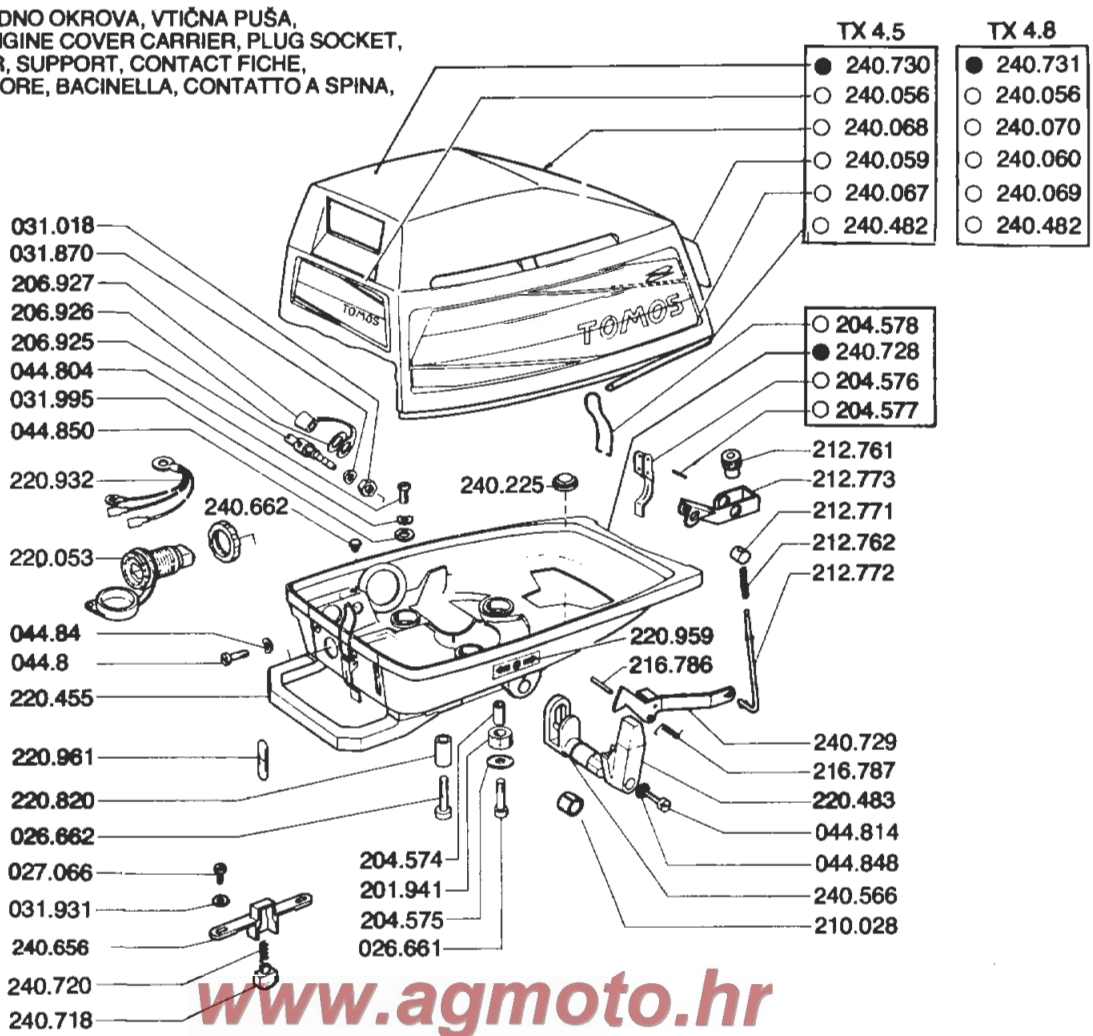
OKROV MOTORJA, DNO OKROVA, VTIČNA PUŠA,  
 ENGINE COVER, ENGINE COVER CARRIER, PLUG SOCKET,  
 CAPOT DE MOTEUR, SUPPORT, CONTACT FICHE,  
 CAPOTTA DEL MOTORE, BACINELLA, CONTATTO A SPINA,

(TX 4RN)



OKROV MOTORJA, DNO OKROVA, VTIČNA PUŠA,  
 ENGINE COVER, ENGINE COVER CARRIER, PLUG SOCKET,  
 CAPOT DE MOTEUR, SUPPORT, CONTACT FICHE,  
 CAPOTTA DEL MOTORE, BACINELLA, CONTATTO A SPINA,

(TX 4.5, TX 4.8)

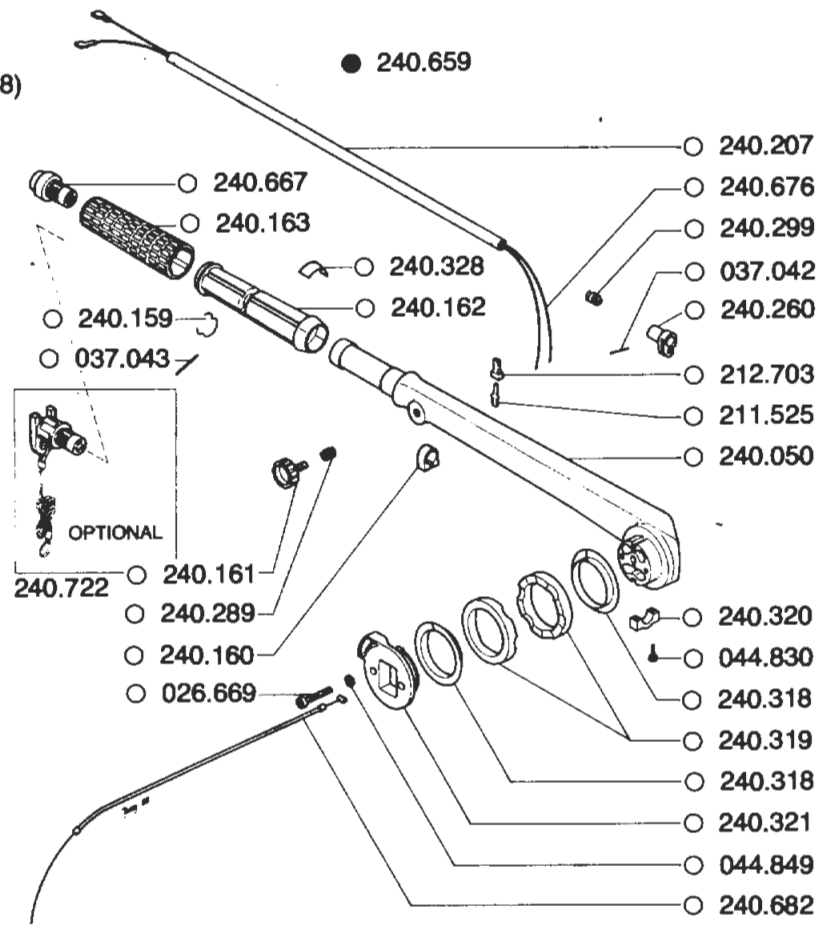


P

KRMILNA ROČICA,  
 HANDLE STEERING,  
 DIRECTION MANUEL,  
 MANOPOLA DIREZIONE

(TX 4, TX 4R, TX 4RN, TX 4.5, TX 4.8)

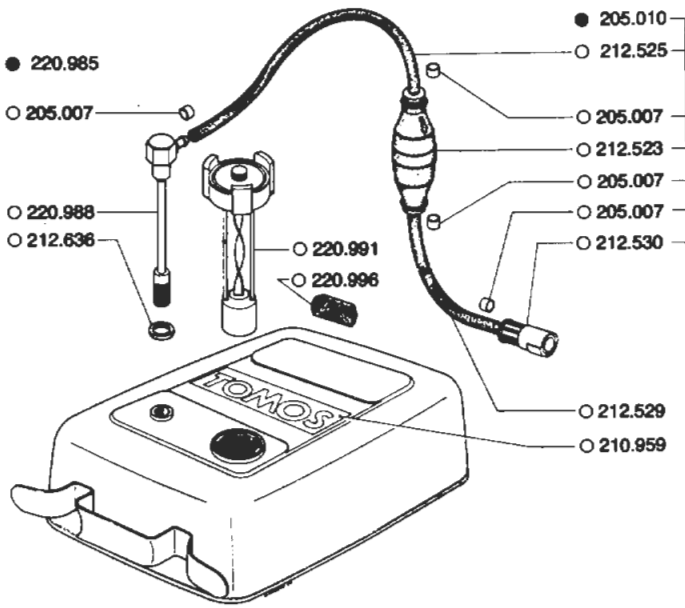
[www.agmoto.hr](http://www.agmoto.hr)  
 tel 051-584-123



R

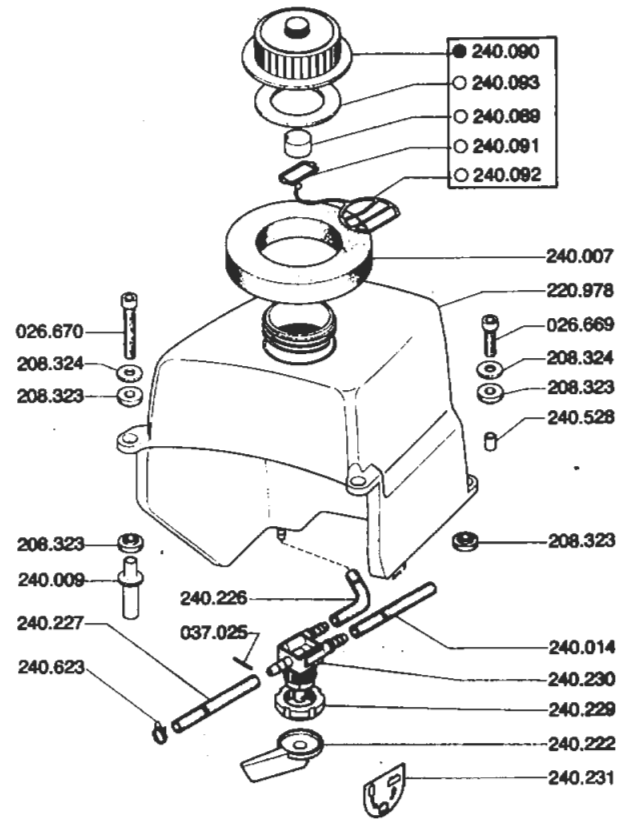
REZERVOAR  
 FUEL TANK  
 RESERVOIR A ESSENCE  
 SERBATOIO

(TX 4, TX 4.5, TX 4.8)



S

(TX 4R, TX 4RN)

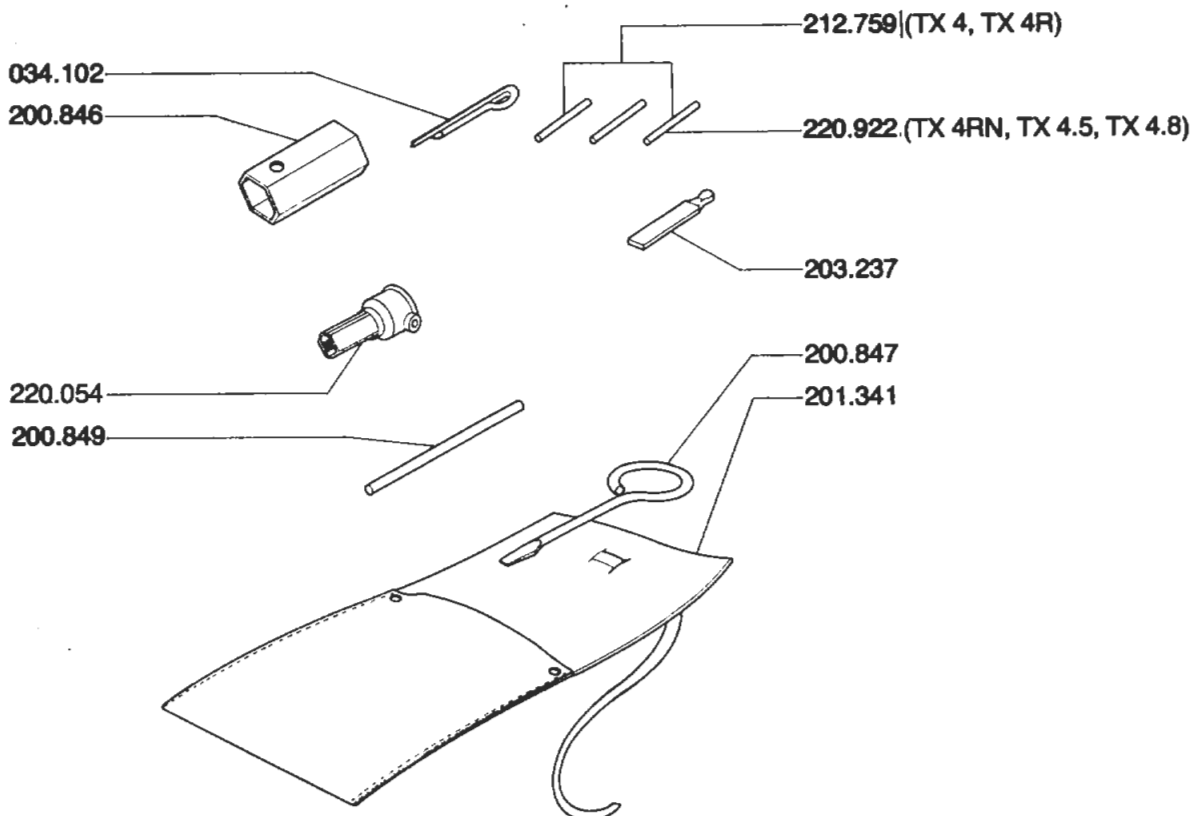


[www.agmoto.hr](http://www.agmoto.hr)

ORODJE IN PRIBOR  
 TOOLS AND ACCESSORIES  
 OUTILLAGE ACCESSOIRES  
 BORSA ATTREZZI

● 240.725 (TX 4, TX 4R)  
 ● 240.726 (TX 4RN, TX 4.5, TX 4.8)

Š



# INDEX

Sifra Part No. No. Code N. Cod	Skupina Section Section Gruppo	Sifra Part No. No. Code N. Cod	Skupina Section Section Gruppo	Sifra Part No. No. Code N. Cod	Skupina Section Section Gruppo	Sifra Part No. No. Code N. Cod	Skupina Section Section Gruppo	Sifra Part No. No. Code N. Cod	Skupina Section Section Gruppo
026.573	C	204.430	E	212.773	P	220.920	C	240.669	J
026.575	C	204.431	E	212.814	C	220.922	S,K,L,M	240.670	K
026.661	H,I,N,O,P	204.432	E	212.957	J,K,L,M	220.931	C	240.671	J
026.662	N,O,P	204.433	E	212.958	J,K,L,M	220.932	N,O,P	240.672	H
026.669	R,S	204.435	E	212.959	J,K,L,M	220.933	C	240.673	J
026.870	S	204.438	E	215.487	B,C	220.942	M	240.674	J
027.053	C	204.457	B	216.137	D	220.943	M	240.676	R
027.054	C	204.463	B	216.138	D	220.944	F,G	240.682	R
027.058	C	204.466	B	216.180	D	220.945	F,G	240.683	G,H,I
027.061	C	204.574	N,O,P	216.181	D	220.953	J,K,L,M	240.685	F
027.062	C	204.575	N,O,P	216.182	D	220.954	A	240.686	F
027.064	C,O	204.576	N,O,P	216.183	D	220.955	F,G	240.688	F
027.065	D	204.577	N,O,P	216.184	D	220.956	F,G	240.689	K
027.066	O,P	204.578	N,O,P	216.185	D	220.957	J,K,L,M	240.690	J
027.068	E	204.586	D	216.186	D	220.959	P	240.691	L
027.076	A	204.595	D	216.187	D	220.961	N,O,P	240.692	L
027.078	C	204.611	J,K,L,M	216.188	D	220.962	C	240.694	M
027.079	C,B	204.612	J,K,L,M	216.189	D	220.963	C	240.696	C
027.085	A	204.613	J,K,L,M	216.190	D	220.978	S	240.697	A
027.145	D	204.624	A	216.617	C	220.979	O	240.718	O
027.204	D	204.632	D	216.618	C	220.985	S	240.720	P
030.045	H,I	204.880	D	216.625	C	220.986	S	240.722	O
031.018	N,O,P	204.881	D	216.627	C	220.991	S	240.723	R
031.078	A	204.882	D	216.628	C	220.998	S	240.724	C
031.124	E	204.883	D	216.786	P	220.999	B,C	240.725	D
031.209	D	204.884	D	216.787	P	222.042	C	240.726	S
031.507	C	204.885	D	216.887	A	222.043	C	240.727	S
031.888	C	204.887	D	216.888	E	222.045	C	240.728	N
031.870	N,O,P	204.888	D	216.889	A	222.046	C	240.729	O
031.931	C,O,P	204.893	B	216.898	O	224.185	C	240.730	P
031.934	B,C	204.897	B	216.947	E	224.198	C	240.731	P
031.995	N,O,P	205.007	S	220.017	D	224.006	A	240.732	P
031.999	C	205.010	S	220.020	F,G	240.007	C	240.733	N
032.039	B,C	205.011	S	220.025	F,G	240.009	S		
032.137	J,K,L,M	205.047	D	220.027	F,G	240.014	S		
032.139	J,K,L,M	205.104	E	220.053	N,O,P	240.015	C		
032.145	B,C	205.150	E	220.054	S	240.016	C		
034.102	S,J,K,L,M	205.173	B,C	220.093	K,L,M	240.029	C		
035.032	J,K,L,M	205.461	D	220.094	K,L,M	240.050	R		
035.070	B,C	206.225	B	220.095	K,L,M	240.054	N,O		
035.072	J,K,L,M	206.526	J,K,L,M	220.096	K,L,M	240.056	N,P		
035.074	J,K,L,M	206.531	J	220.097	K,L,M	240.058	N		
035.463	M	206.535	J,K,L,M	220.098	K,L,M	240.059	P		
035.518	C	206.543	F,G	220.099	J,K,L,M	240.060	P		
035.548	B	206.544	F,G	220.100	L,M	240.065	N		
036.028	G	206.661	D	220.101	K,L,M	240.066	N		
036.555	B,C	206.663	D	220.102	K,L,M	240.067	P		
036.570	B,C	206.667	D	220.103	J,K,L,M	240.068	P		
037.019	G	206.669	D	220.105	K,L,M	240.069	P		
037.025	S	206.671	D	220.106	L,M	240.070	P		
037.034	J	206.673	D	220.107	K,L	240.075	N,O		
037.042	R	206.675	D	220.237	A	240.076	N,O		
037.043	R	206.676	D	220.239	H,I	240.085	C		
037.055	A	206.677	D	220.241	H,I	240.089	S		
044.154	A	206.681	D	220.243	H,I	240.090	S		
044.380	E	206.682	D	220.246	H,I	240.091	S		
044.424	E	206.686	D	220.248	F,G	240.092	S		
044.459	G,H,I	206.689	D	220.251	G	240.093	S		
044.582	H,I	208.691	D	220.253	G	240.159	R		
044.584	D	206.693	D	220.303	E	240.160	R		
044.598	B,C	206.696	D	220.305	E	240.161	R		
044.611	C	206.902	J	220.307	E	240.162	R		
044.629	D	206.918	C	220.416	G	240.163	R		
044.630	D	206.925	N,O,P	220.417	G	240.207	R		
044.726	D	206.926	N,O,P	220.426	H,I	240.221	F,G		
044.802	J,K,L,M	206.927	N,O,P	220.431	H,I	240.222	S		
044.804	C,A,J,K	206.952	B	220.432	H,I	240.225	N,P		
	L,M,N,O,P	206.968	C	220.433	I	240.226	S		
044.813	N,O,P	208.323	S	220.434	H,I	240.227	S		
044.814	O,P	208.324	S	220.439	H,I	240.229	S		
044.827	A,B,C,F,G	208.504	B	220.440	H,I	240.230	S		
044.828	F,G	210.009	H,I	220.442	H,I	240.231	S		
044.830	R	210.011	H,I	220.443	H,I	240.260	R		
044.846	J,K,L,M	210.028	O,P	220.444	H,I	240.299	R		
044.848	O,P	210.153	E	220.446	H,I	240.318	R		
044.849	C,E,N,O,P,R	210.173	C	220.447	H,I	240.319	R		
044.850	C,A,B,C,D,F,G,H	210.175	C	220.448	H,I	240.320	R		
	I,J,K,L,M,N,O,P	210.628	D	220.449	H,I	240.322	R		
044.854	F,G,H,I	210.632	D	220.450	H,I	240.328	R		
044.864	D	210.759	A	220.451	H,I	240.329	J		
200.048	B,C	210.959	S	220.455	N,O,P	240.441	J		
200.846	S	211.525	R	220.462	H,I	240.443	J		
200.847	S	212.076	E	220.469	J,K,L,M	240.445	K,L,M		
200.849	S	212.484	S	220.475	O	240.447	K,L,M		
201.341	S	212.523	D	220.483	P	240.449	K,L,M		
201.939	J	212.525	S	220.513	L,M	240.482	N,O,P		
201.941	N,O,P	212.529	S	220.521	H,I	240.493	N,O		
201.944	J,K,L,M	212.530	S	220.522	H,I	240.528	S		
201.971	F,G	212.636	S	220.523	H,I	240.531	D		
202.065	J,K,L,M	212.641	D	220.524	H,I	240.565	O		
203.237	S	212.703	R	220.674	K,L,M	240.566	O,P		
203.256	B,C	212.753	J	220.679	F,G	240.592	D		
203.277	J,K,L,M	212.755	J	220.680	F,G	240.623	D,S		
203.849	A	212.756	J,K,L,M	220.724	K,L,M	240.656	O,P		
204.277	C	212.757	J,K,L,M	220.818	F,G	240.659	R		
204.278	C	212.759	S	220.820	N,O,P	240.662	N,O,P		
204.412	A	212.761	P	220.829	H,I	240.665	K		
204.418	B,C	212.762	P	220.870	G	240.666	J,K,L		
204.426	E	212.771	P	220.914	G	240.667	R		
204.427	E	212.772	P	220.915	G	240.668	K		

www.gnptor  
tel 05-504-13