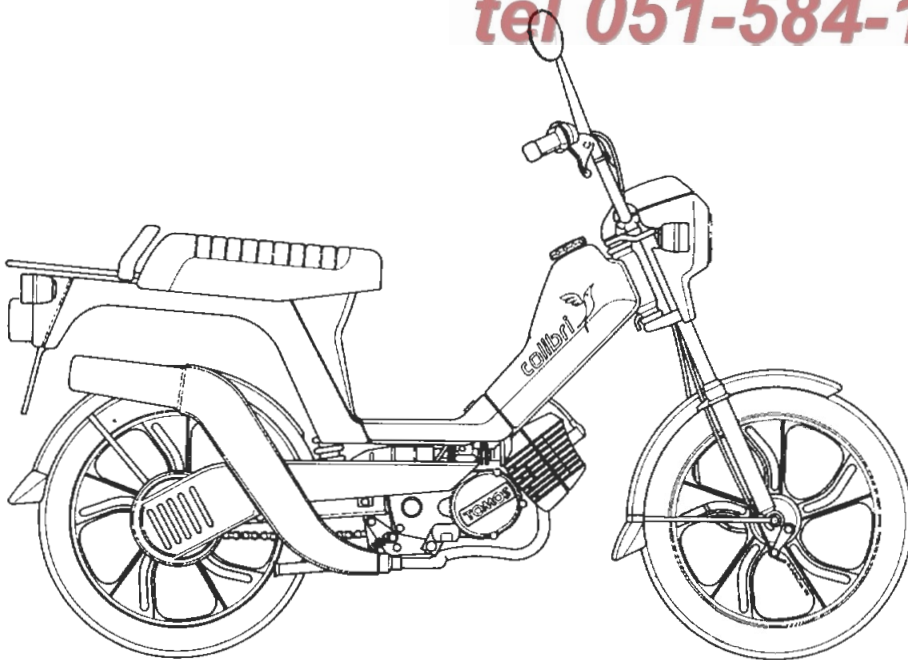


TOMOS

SPARE
PARTS
CATALOGUE

PARTI
DI
RICAMBIO

www.agmoto.hr
tel 051-584-123

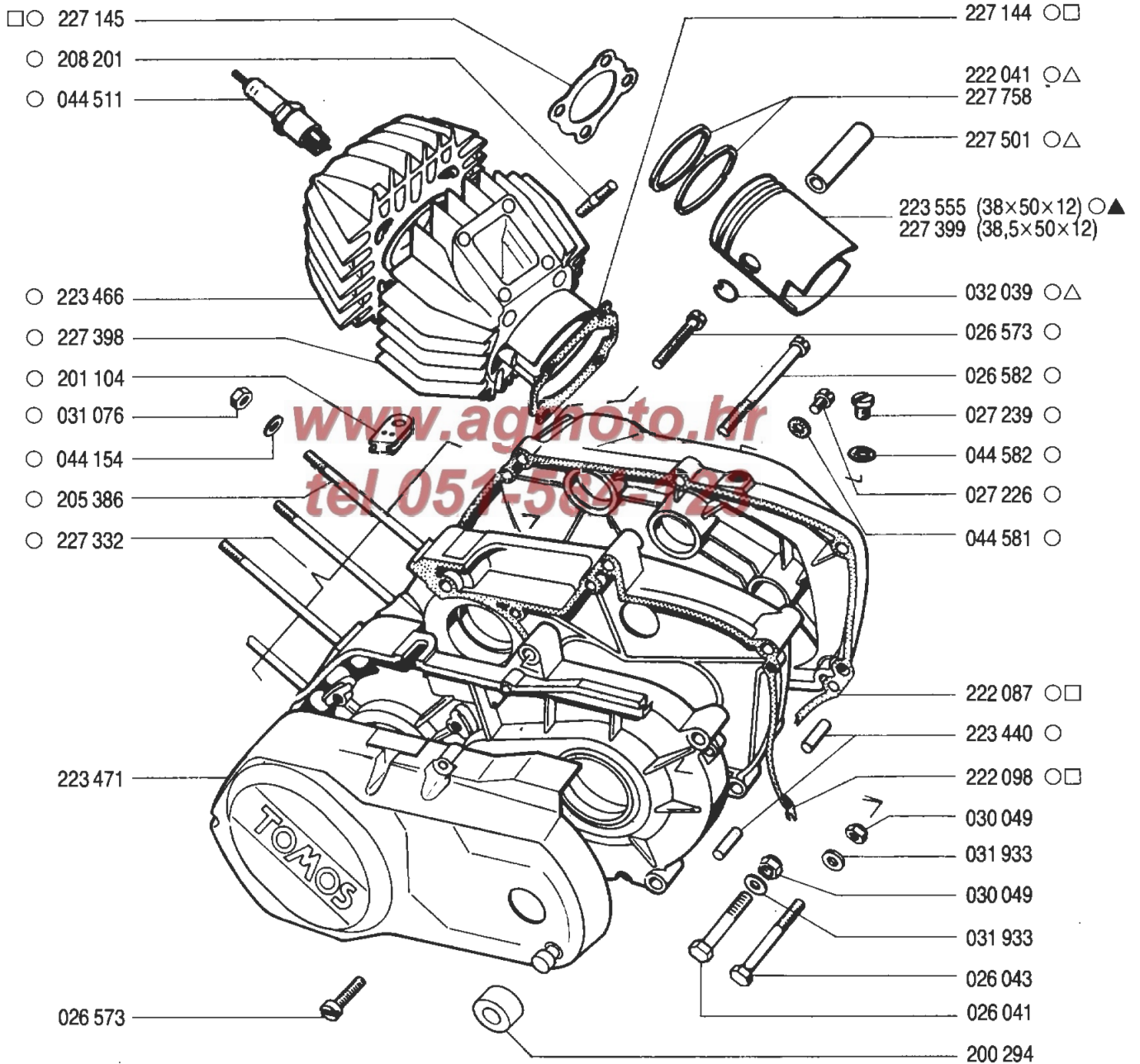


COLIBRI (40 KM/H)

CRANKCASE, CYLINDER, PISTON
 CARTER, CILINDRO, PISTONE

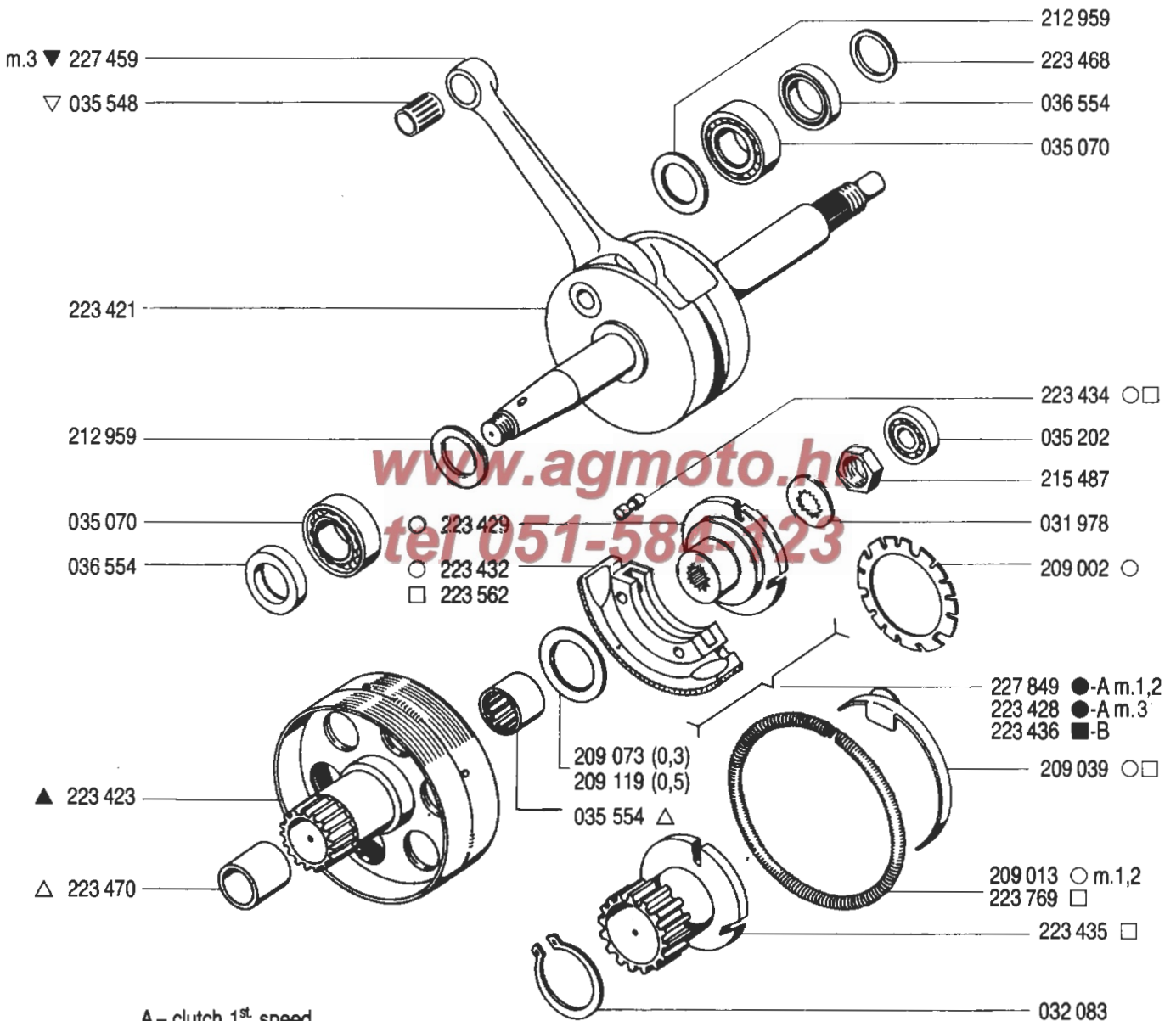
A

- 223 601 – engine motore
- 227 404 – gasket set serie guarnizioni



CRANKSHAFT, CLUTCH
ALBERO MOTORE, FRIZIONI

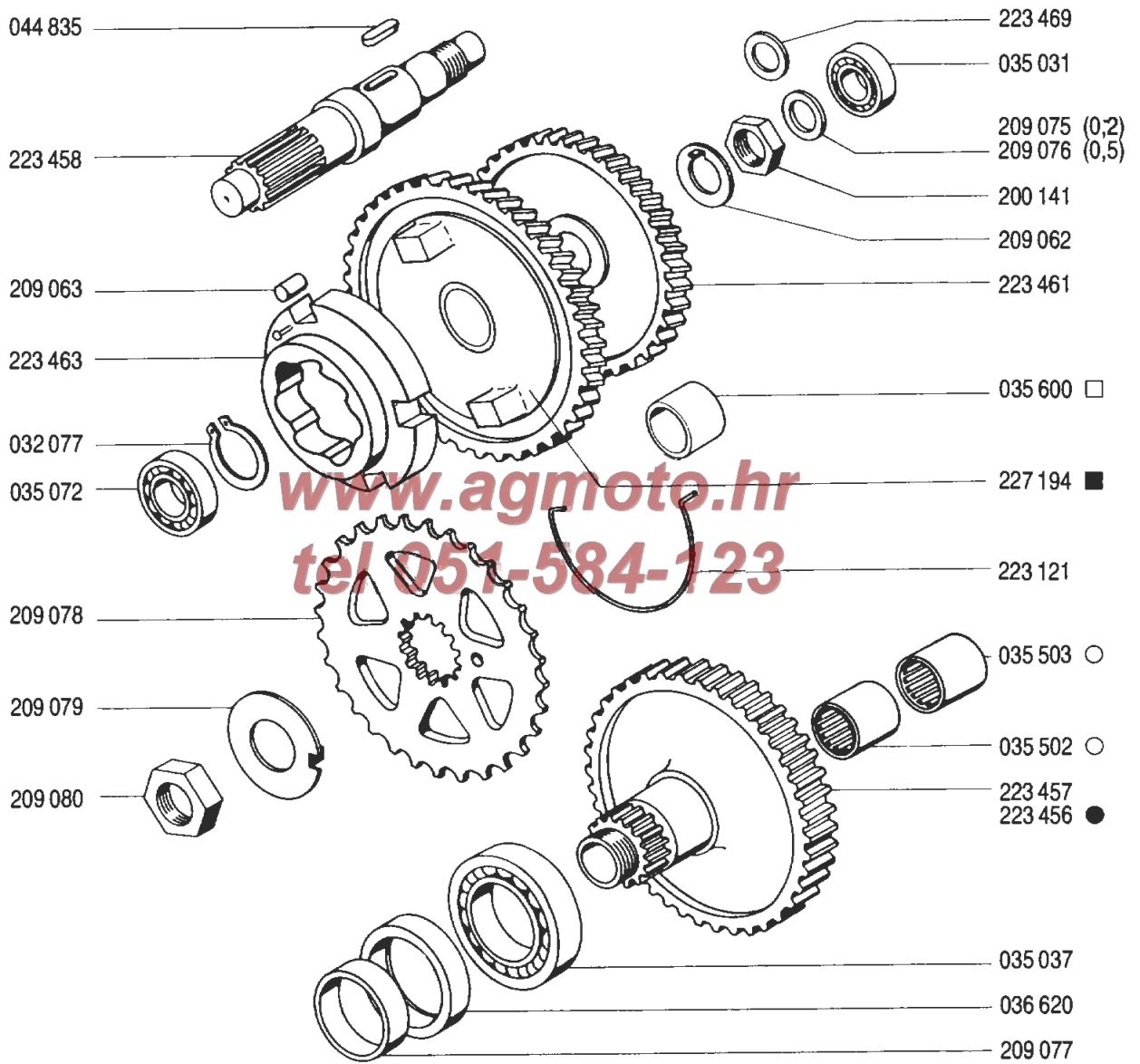
B



A - clutch 1st speed
frizione I. velocita
B - clutch 2nd speed
frizione II. velocita

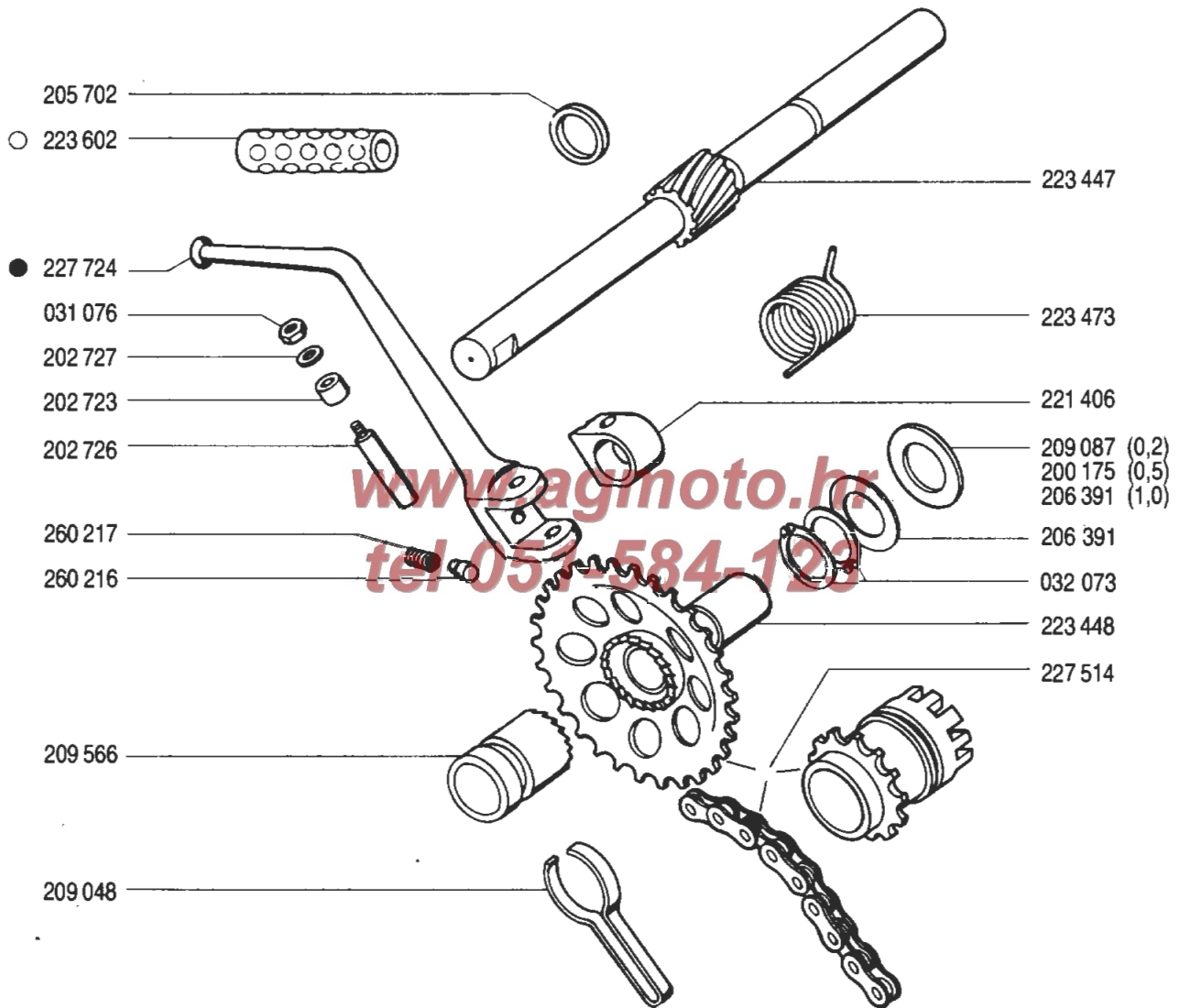
COUNTERSHAFT, MAINSHAFT
CAMBIO VELOCITA

C



STARTER ASSEMBLY
 AVVIAMENTO A PEDALE

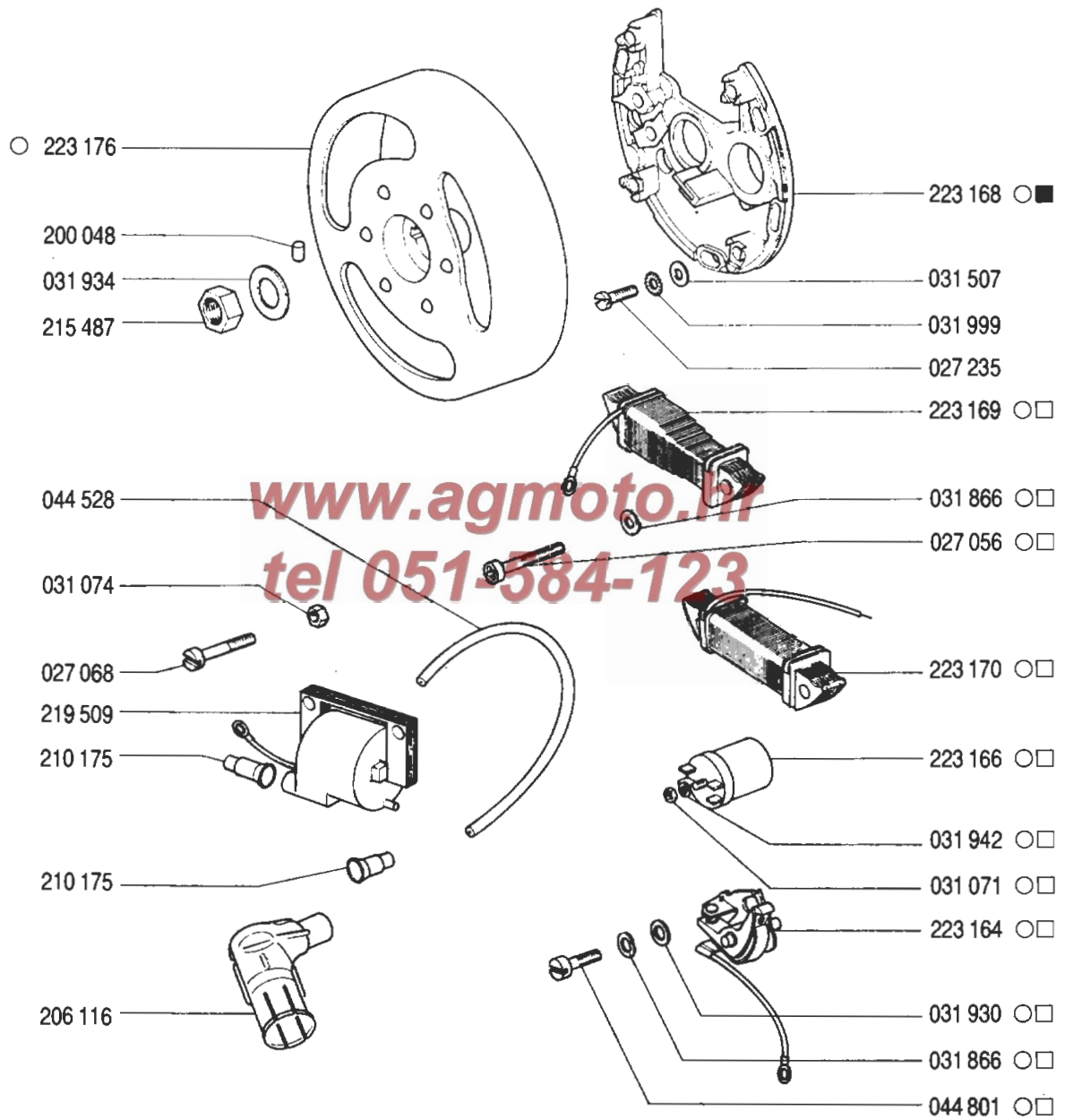
D



MAGNETO ASSEMBLY
VOLANO MAGNETE

E

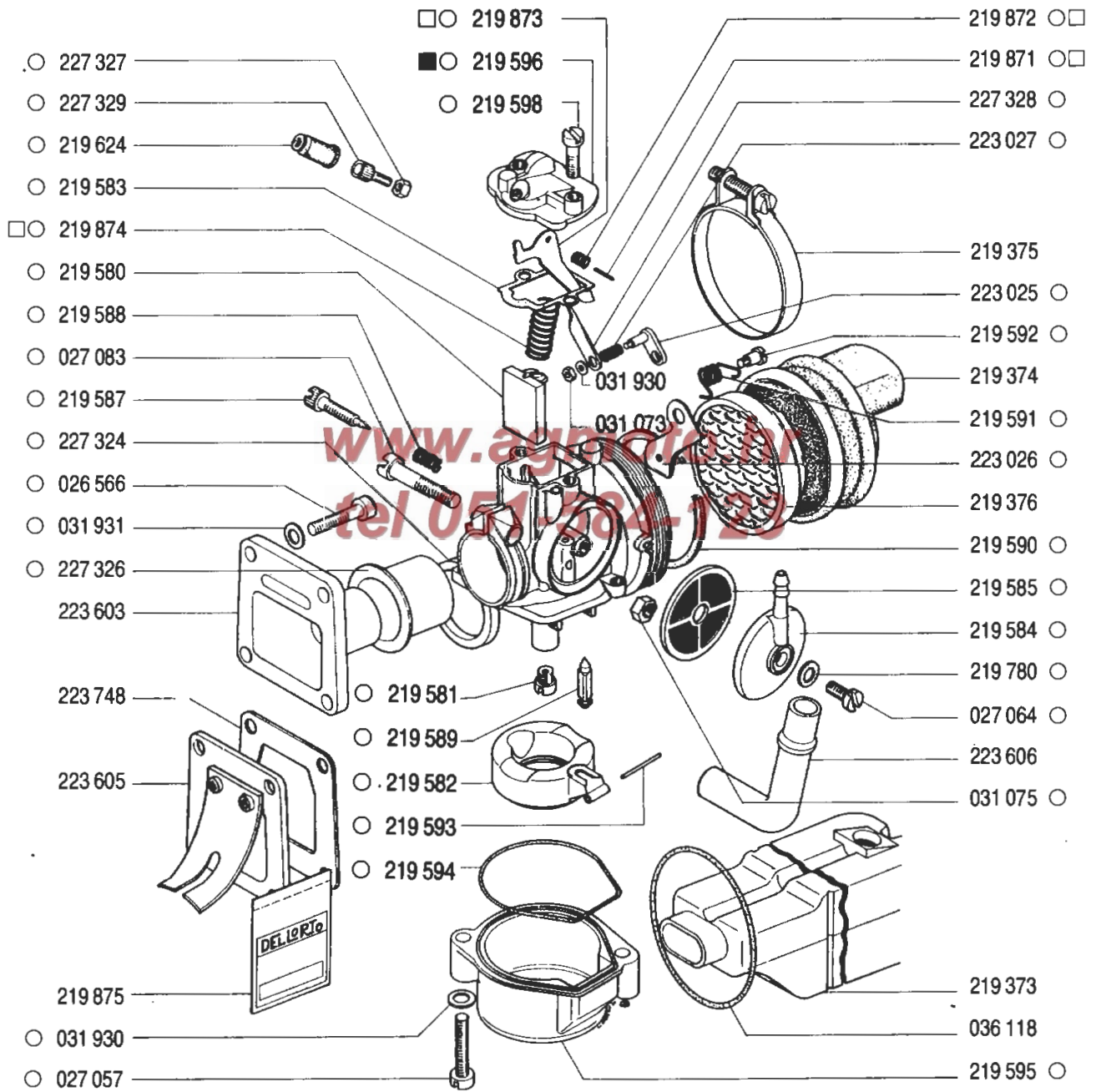
● 222 010 (ISKRA 12 V 50 W)



CARBURETOR, INTAKE MANIFOLD
CARBURATORE

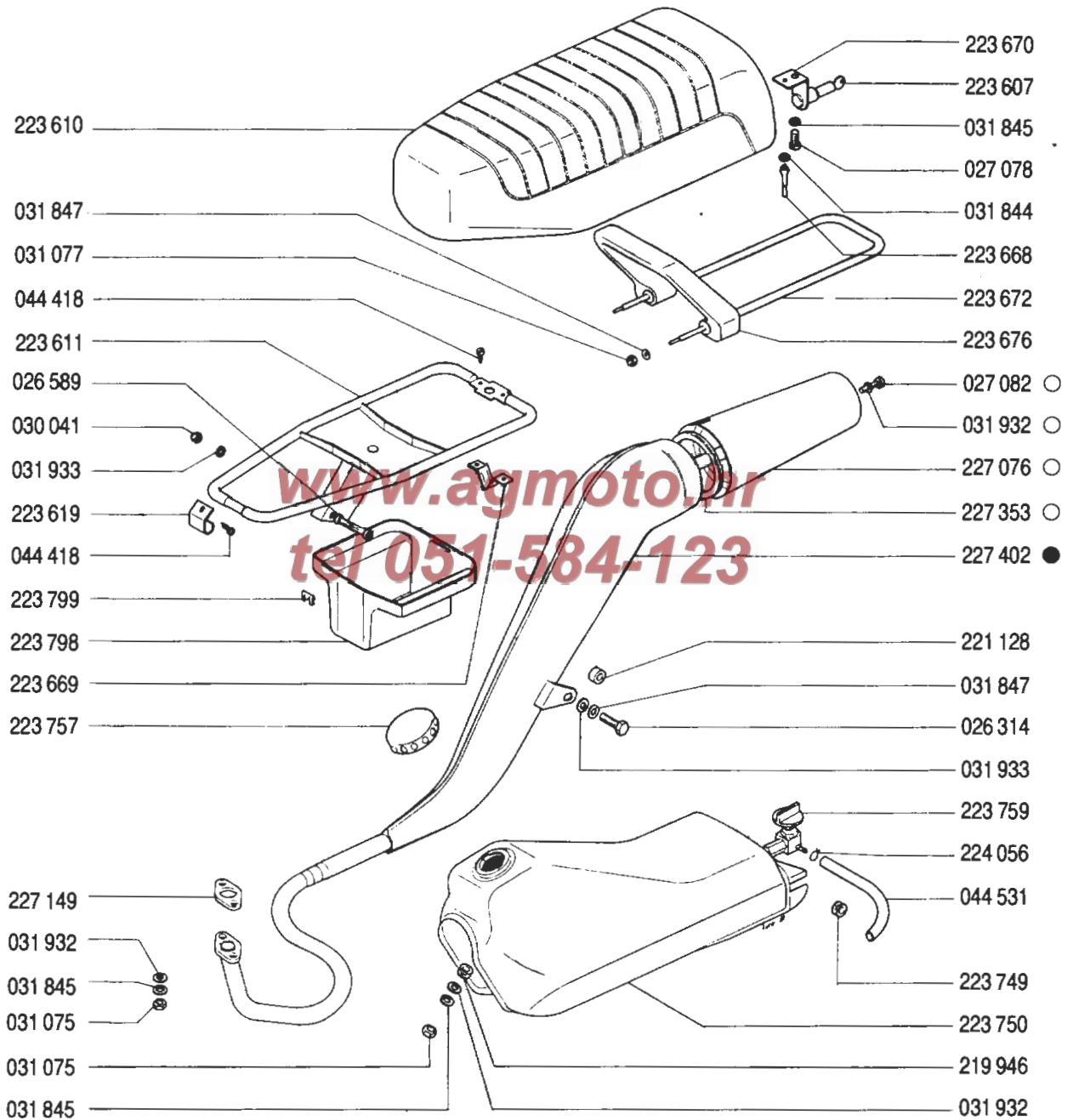
F

● 223 770 DELL'ORTO SHA 14-12 P



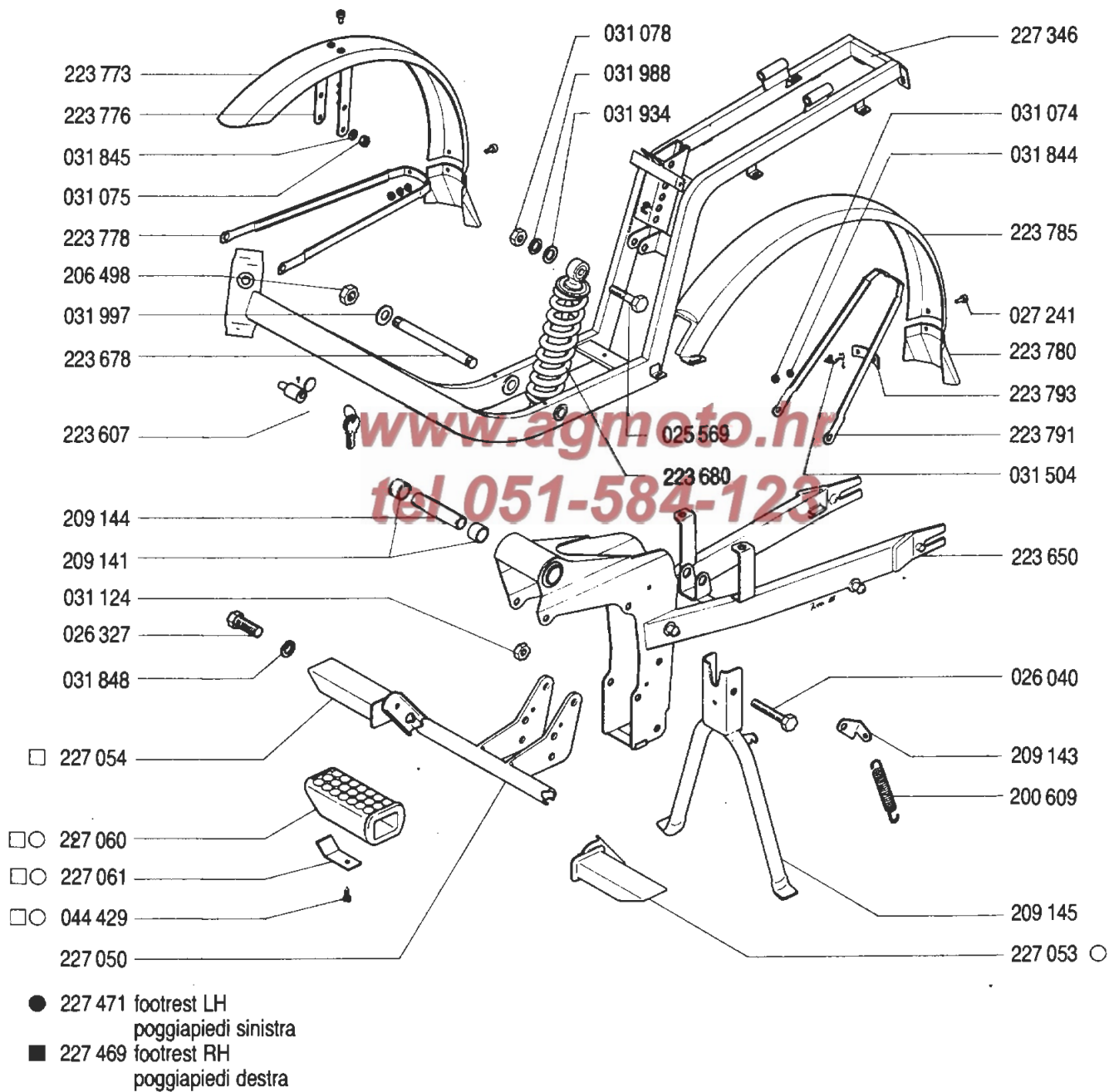
EXHAUST SYSTEM, FUEL TANK, SEAT
MARMITTA, SERBATOIO, SELLA

G

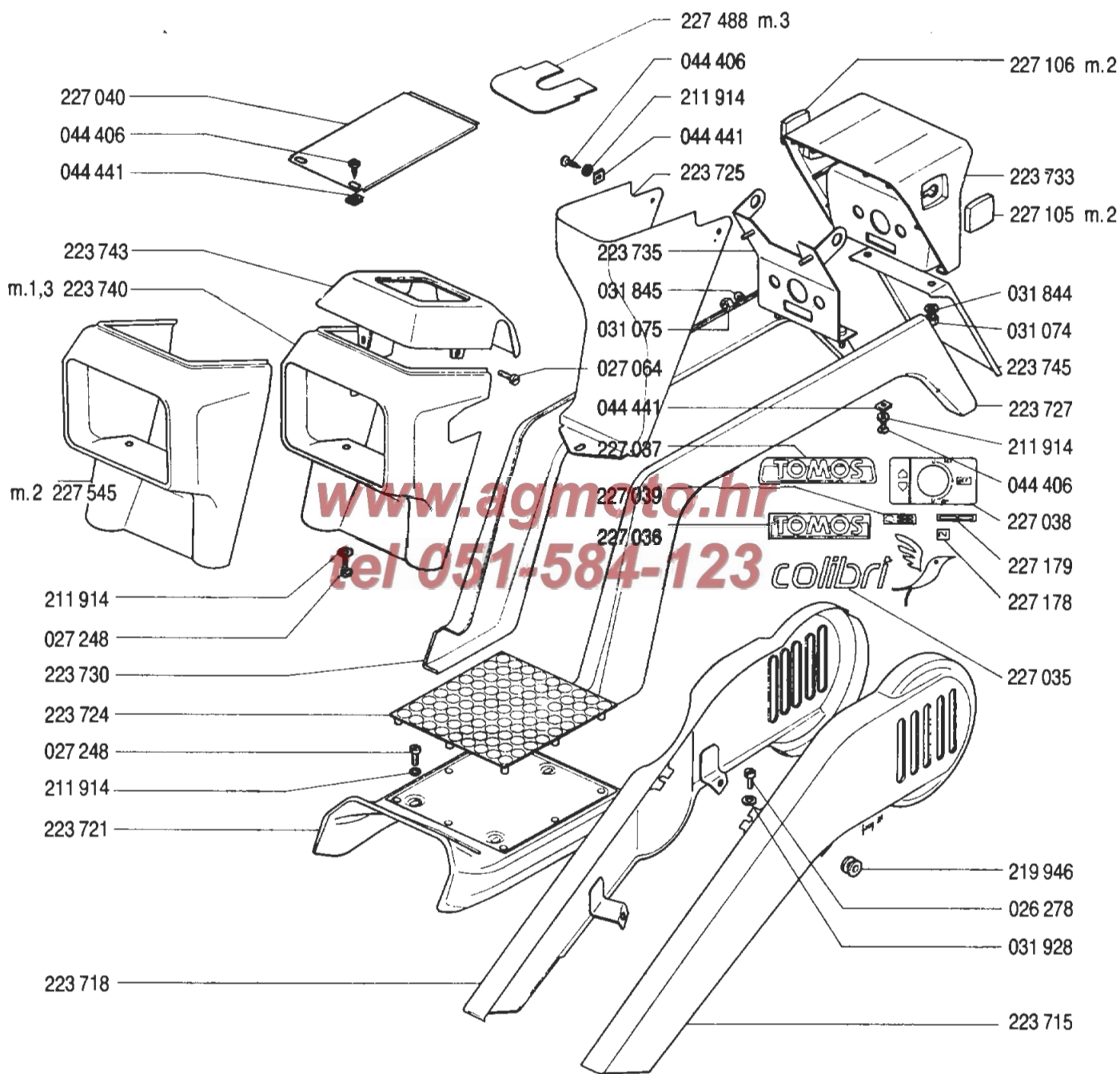


FRAME, SWING ARM, FENDERS
 TELAIO, FORCELLONE, PARAFANGHI

H



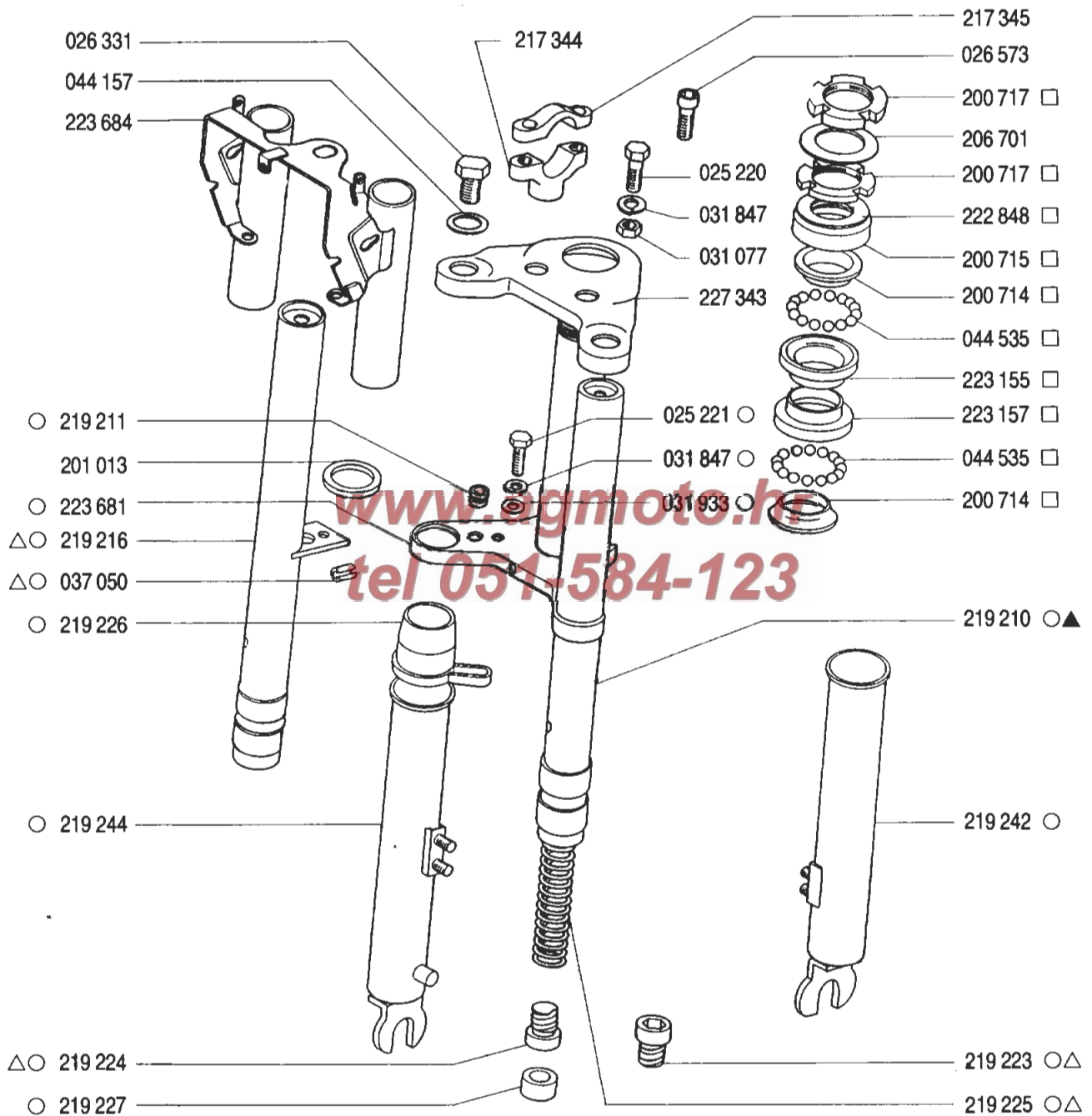
SHIELDS, COVERS, DECALS
 CARENATURE, COPERTI, DECALCOMANIE



FRONT FORKS
FORCELLA ANTERIORE

J

● 227 307

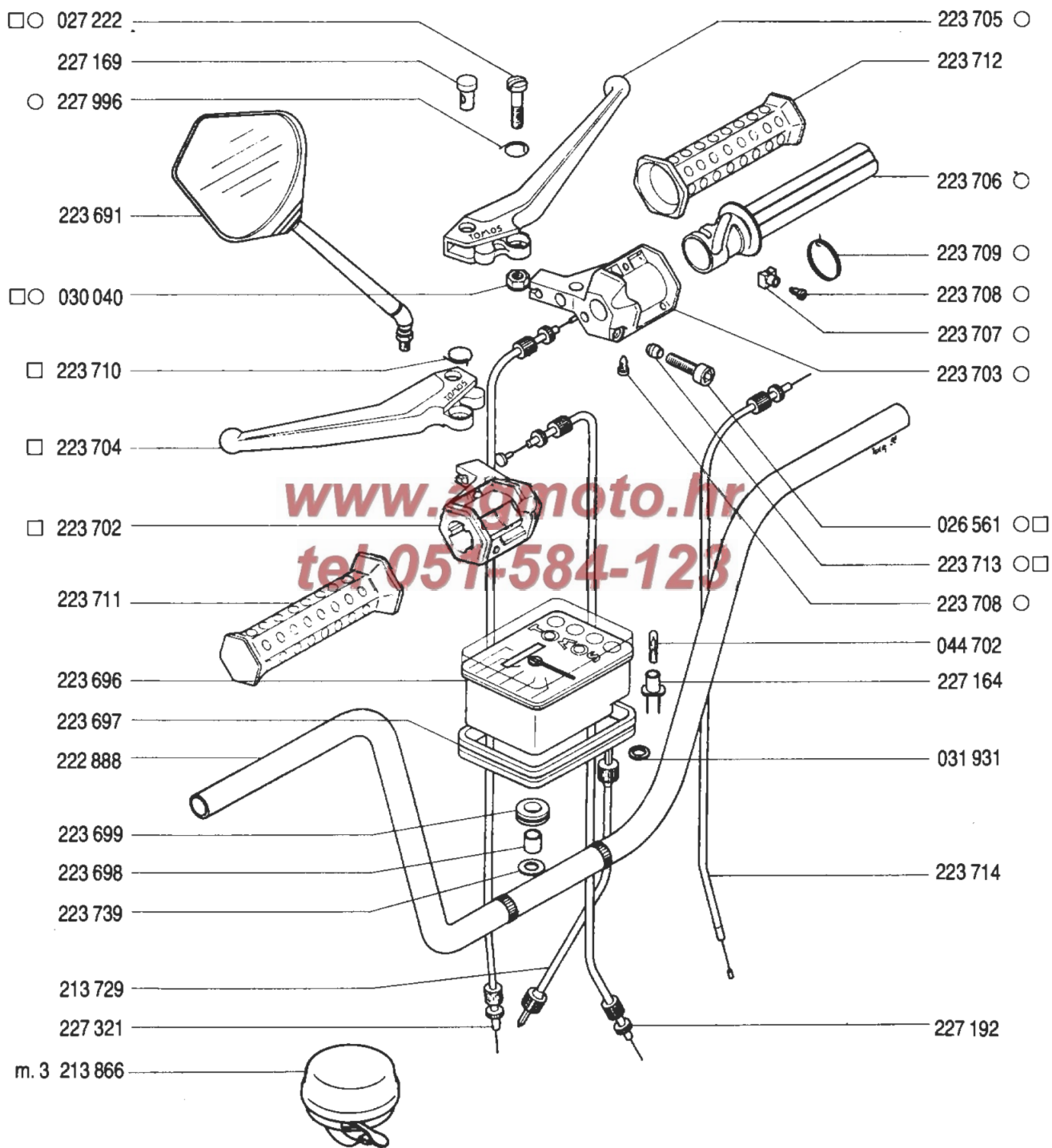


■ 227 470 Steering bearing
Gruppo ralle sterzo

HANDLEBAR, CONTROLS, CABLES, SPEEDOMETER
 MANUBRIO, MANOPOLE, CAVI

K

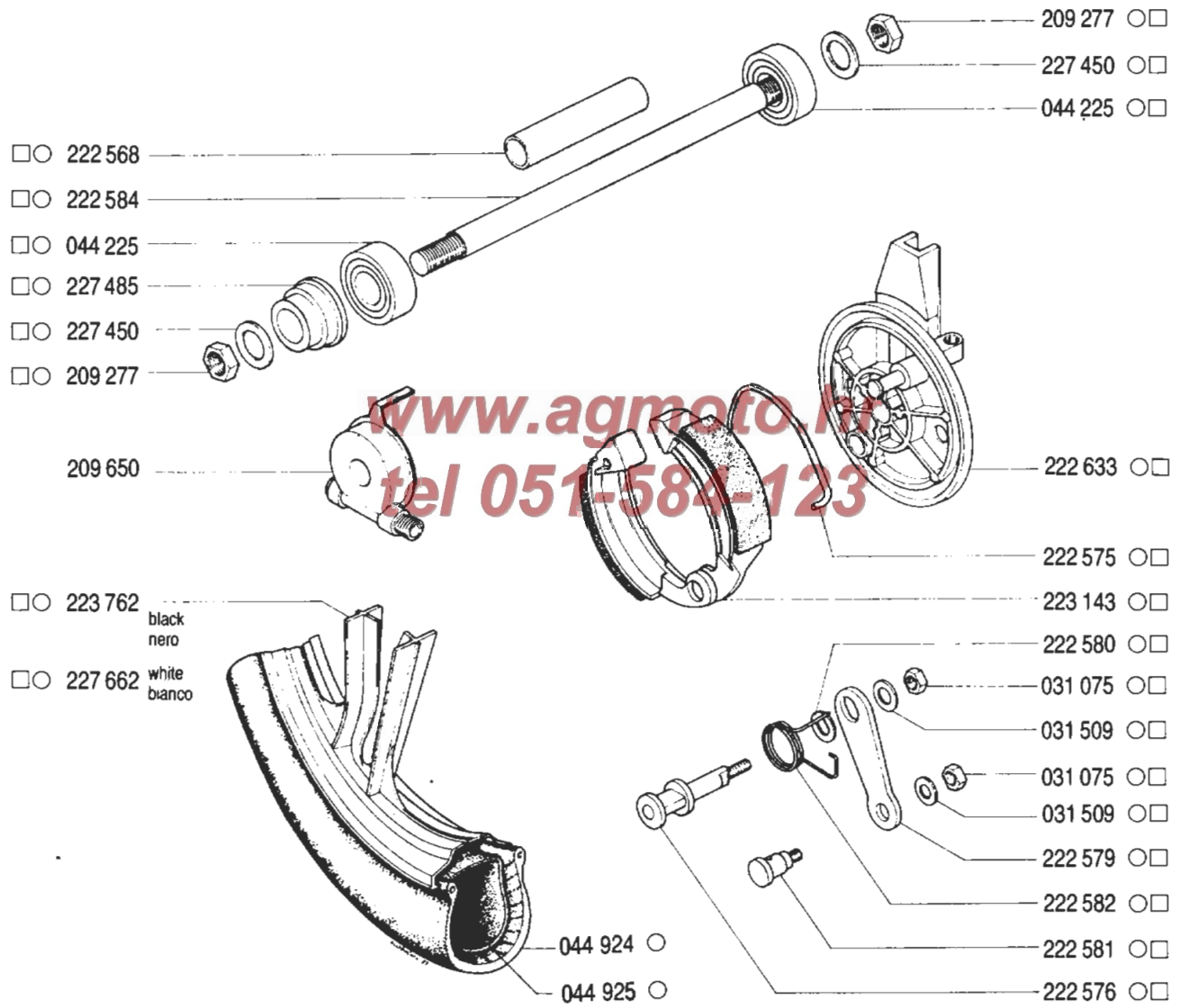
- 223 700 throttle assy.
manopole gas cpl.
- 223 701 rear brake lever assy.
portaleva freno posteriore cpl.



FRONT WHEEL
RUOTA ANTERIORE

L

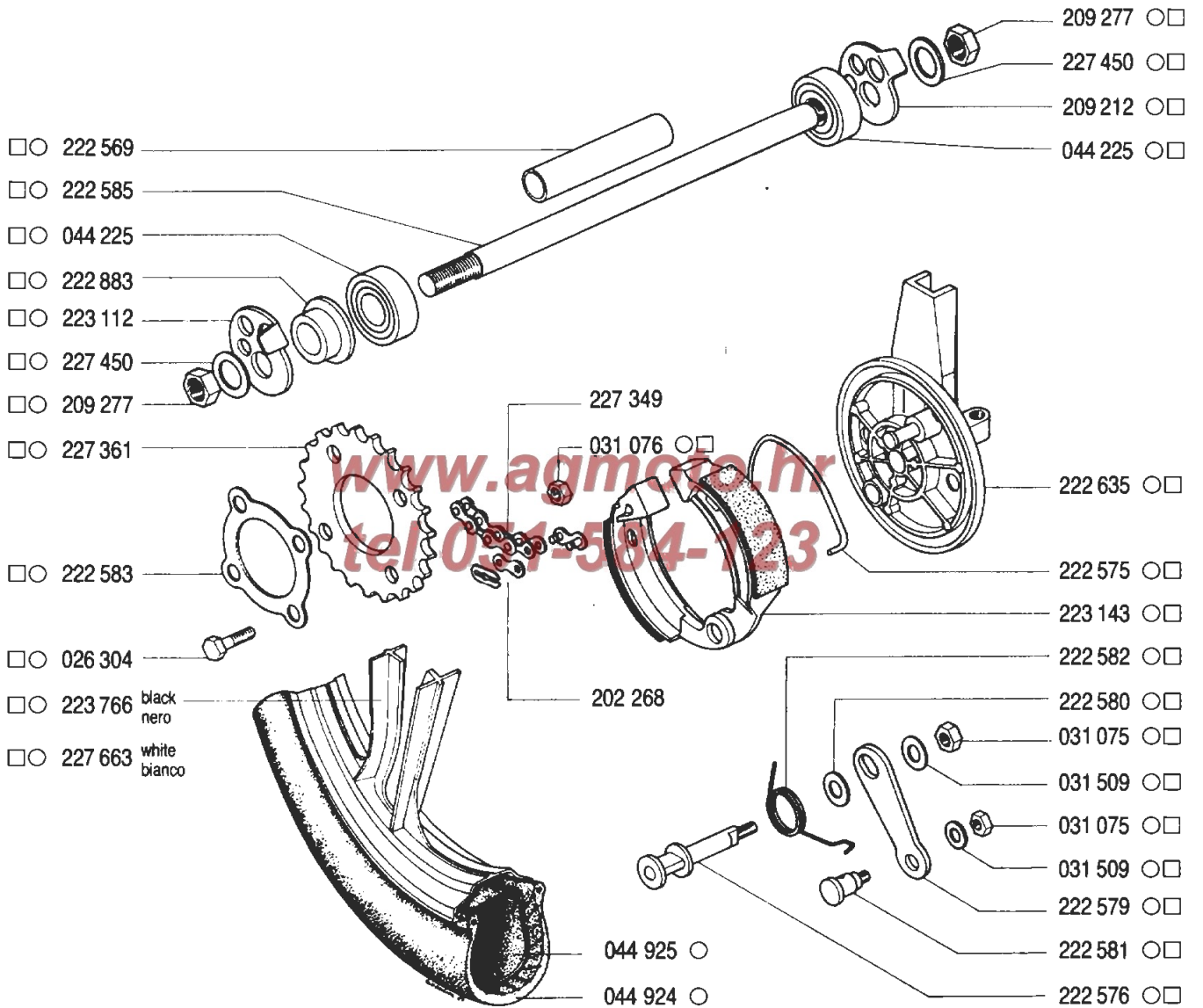
- 223 760 black
nero
- 227 664 white
bianco
- 223 761 black
nero
- 227 665 white
bianco



REAR WHEEL
RUOTA POSTERIORE

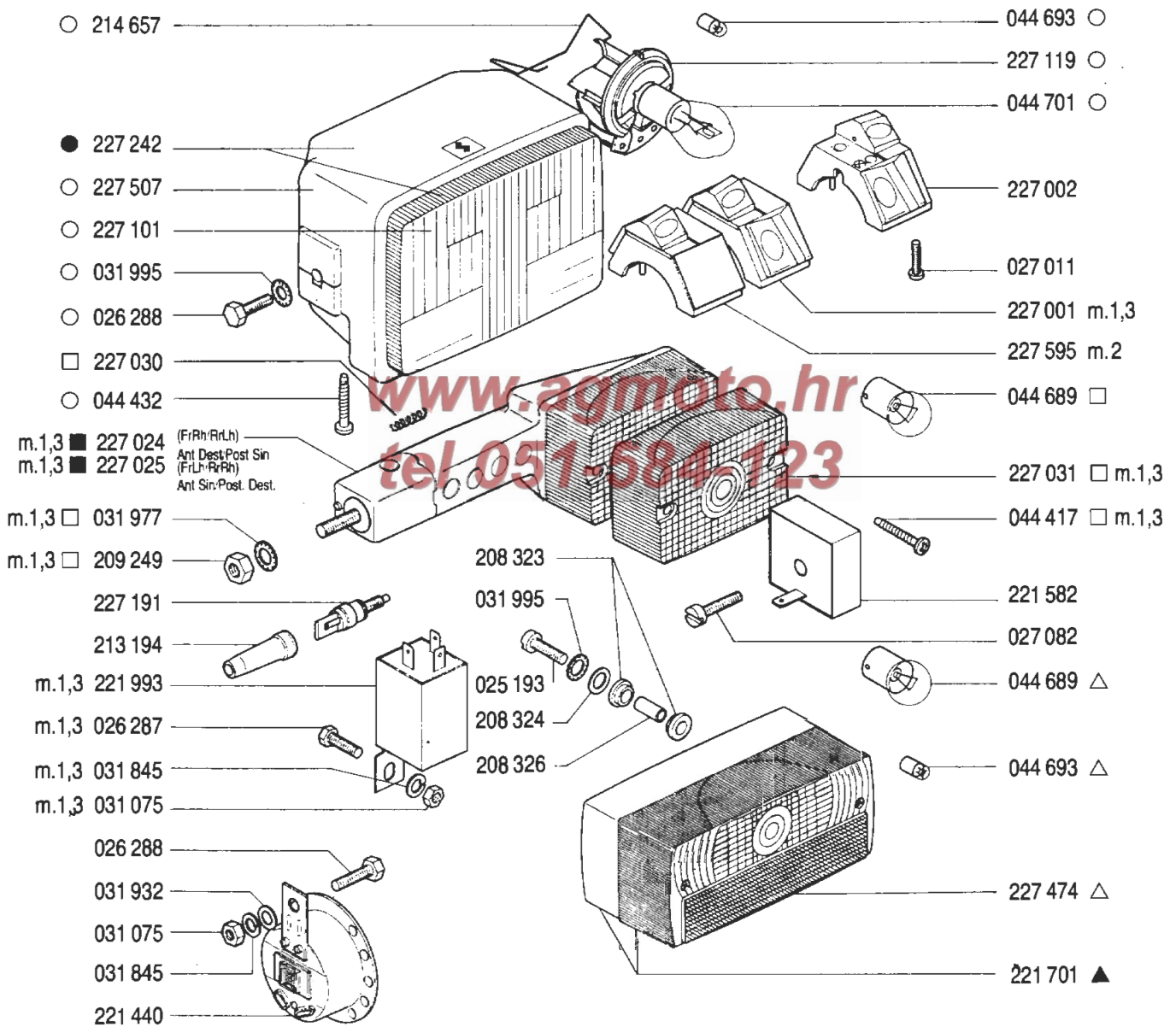
M

- 227 357 black nero
- 227 666 white bianco
- 227 358 black nero
- 227 667 white bianco

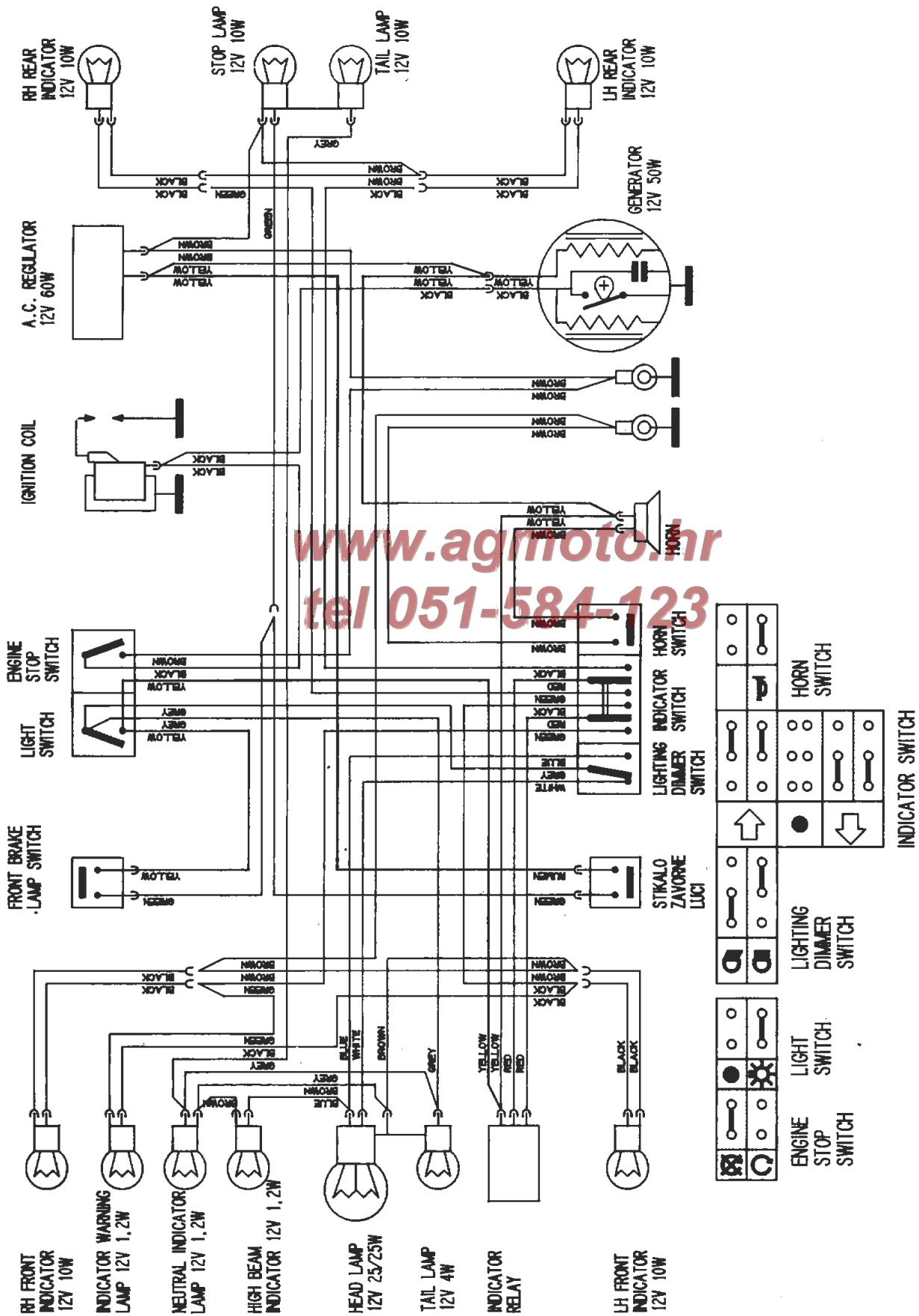


ELECTRICAL PARTS
EQUIPAGGIAMENTO ELETTRICO

N



227 021 electric wiring
cavetti elettrici



www.agmoto.hr
tel 051-584-123

INDEX

Part No.	Section	Description	Part No.	Section	Description
025 193	N	SCREW M6×25	044 429	H	SCREW A4,2×13
025 220	J	SCREW M8×20	044 432	N	SCREW A3,9×25
025 221	J	SCREW M8×18	044 441	I	NUT 4,2
025 569	H	SCREW M10×40	044 511	A	SPARK PLUG
026 040	H	SCREW M8×1×65	044 528	E	IGNITION CABLE 0.2m
026 041	A	SCREW M8×1×70	044 531	G	FUEL LINE
026 043	A	SCREW M8×1×80	044 535	J	BALL
026 287	N	SCREW M6×12	044 581	A	SEAL WASHER 6×12
026 288	N	SCREW M6×15	044 582	A	SEAL WASHER 8×14
026 304	M	SCREW M7×25	044 689	N	BULB 12V 10W
026 314	G	SCREW M8×20	044 693	N	BULB 12V 4W
026 327	H	SCREW M10×25	044 701	N	BULB 12V 25/25 W
026 331	J	SCREW M12×25	044 702	K	SPEEDOMETER BULB 12V 1,2W
026 561	K	SCREW M6×16	044 801	E	SCREW M4×10
026 566	F	SCREW M5×20	044 835	C	WOODRUFF KEY 5×5×12
026 573	A,J	SCREW M6×25	044 924	M	TYRE 2,25×16
026 582	A	SCREW M6×65	044 925	M	INNER TUBE 2,25×16
026 589	G	SCREW M8×40	200 048	E	ROLLER D3×5
027 011	N	SCREW M3×8	200 141	C	NUT M14×1
027 056	E	SCREW M4×20	200 175	D	ADJUSTING WASHER
027 057	F	SCREW M4×20	200 294	A	RUBBER INSERT PIECE
027 064	F,I	SCREW M5×10	200 609	H	SPRING
027 068	E	SCREW M5×20	200 714	J	STEERING BEARING CONE
027 078	G	SCREW M6×12	200 715	J	PROTECTIVE COVER
027 082	G,N	SCREW M6×25	200 717	J	GROOVED NUT
027 083	F	SCREW M6×30	201 013	J	SEAL RING
027 222	K	SCREW M6×25	201 104	A	INSERT PIECE RUB.
027 226	A	SCREW M6×8	202 268	M	CHAIN WASHER LINK
027 235	E	SCREW M4×14	202 723	D	BUSH
027 239	A	SCREW M8×10	202 726	D	PIN
027 241	H	SCREW M5×12	202 727	D	WASHER
027 248	I	SCREW M5×12	205 386	A	STUD BOLT M7×112
030 040	K	NUT M6	205 702	D	WASHER 2,0
030 041	G	NUT M8	206 116	E	CABLE PLUG
030 049	A	NUT M8×1	206 391	D	ADJUSTING WASHER
031 071	E	NUT M3	206 498	H	NUT M12×1
031 073	F	NUT M4	206 701	J	WASHER
031 074	E,I,H	NUT M5	208 201	A	STUD BOLT M6×24
031 075	I,G,M,H,L,F,N	NUT M6	208 323	N	RUBBER RING
031 076	D,A,M	NUT M7	208 324	N	WASHER
031 077	G,J	NUT M8	208 326	N	DISTANCE TUBE
031 078	H	NUT M10	209 002	B	SPRING WASHER
031 124	H	NUT M8×1	209 013	B	CLUTCH SPRING
031 504	H	WASHER 5	209 039	B	BRAKE INSERT PIECE
031 507	E	WASHER A4	209 048	D	BRAKE SPRING
031 509	M,L	WASHER A6	209 062	C	PROTECTIVE WASHER
031 844	G,H,I	SPRING RING B5	209 063	C	ROLLER D5×8
031 845	G,N,H,I	SPRING RING B6	209 073	B	SHIM 0,3 AS REQUIRED
031 847	J,G	WASHER B8	209 075	C	SHIM 0,2 AS REQUIRED
031 848	H	SPRING RING B10	209 076	C	SHIM 0,5 AS REQUIRED
031 866	E	WASHER A4	209 077	C	DISTANCE BUSH
031 930	F,E	WASHER 4	209 078	C	GEARBOX CHAIN SPROCKET
031 931	K,F	WASHER 5	209 079	C	PROTECTIVE PLATE
031 932	G,N	WASHER 6	209 080	C	NUT M22×1
031 933	G,J,A	WASHER 8	209 087	D	SHIM 0,2 AS REQUIRED
031 934	H,E	WASHER 10	209 119	B	SHIM 0,5 AS REQUIRED
031 942	E	WASHER B3	209 141	H	BEARING BUSH
031 977	N	WASHER A12	209 143	H	SPRING CARRIER
031 978	B	WASHER B10	209 144	H	DISTANCE TUBE
031 988	H	WASHER A10	209 145	H	CENTER PROP STAND PAINTED
031 995	N	WASHER A6	209 212	M	CHAIN TENSION ADJUSTER RH
031 997	H	WASHER 12	209 249	N	NUT M11×1
031 999	E	WASHER 4	209 277	L,M	NUT M11×1
032 039	A	WIRE CIRCLIP	209 566	D	CLAW COLLAR
032 073	D	SG-RING	209 650	L	SPEEDOMETER DRIVE
032 077	C	PROTECTIVE RING	210 175	E	PROTECTIVE RUBBER
032 083	B	CIRCLIP 28	211 914	I	WASHER
035 031	C	BALL BEARING 10×26×8	212 959	B	ADJUSTING WASHER 0,2
035 037	C	BALL BEARING 30×55×13	213 194	N	PROTECTIVE SLEEVE
035 070	B	BALL BEARING 17×40×12	213 729	K	SPEEDOMETER CABLE
035 072	C	BALL BEARING 12×32×10	213 866	K	BELL
035 202	B	BALL BEARING 8×22×7	214 657	N	RETAINING SPRING
035 502	C	NEEDLE BEARING	215 487	B,E	NUT M10×1
035 503	C	NEEDLE BEARING	217 344	J	HANDLEBAR HOLDER
035 548	B	NEEDLE BEARING 12×15×12	217 345	J	HANDLEBAR HOLDER
035 554	B	BEARING CLUTCH	219 210	J	SUPPORT TUBE CPL
035 600	C	BEARING PAP 2015 P10	219 211	J	RUBBER GUIDE
036 118	F	SEAL RING 40×4	219 216	J	SUPPORTING TUBE
036 554	B	SEALING RING A17×35×7	219 223	J	SCREWED CAP TOP
036 620	C	SEALING RING A35×47×7	219 224	J	SCREWED CAP BOTTOM
037 050	J	ELASTICS PIN	219 225	J	SPRING
044 154	A	WASHER A7	219 226	J	RUBBER BUSH
044 157	J	WASHER A12	219 227	J	RUBBER ABSORBER
044 225	L,M	BALL BEARING 6201-2	219 242	J	SLIDING TUBE LH
044 406	I	SCREW A4,2×13	219 244	J	SLIDING TUBE RH
044 417	N	SCREW A4,2×32	219 373	F	INTAKE SILENCER
044 418	G	SCREW A4,2×13	219 374	F	JUNCTION SLEEVE

www.agropoto.hr
tel 051-504-123

INDEX

Part No.	Section	Description	Part No.	Section	Description
219 375	F	CLAMP	223 470	B	BEARING BUSH
219 376	F	AIR FILTER	223 471	A	ENGINE COVER LH
219 509	E	IGNITION COIL	223 473	D	SPRING
219 580	F	THROTTLE SLIDE	223 555	A	PISTON
219 581	F	MAIN JET 51	223 562	B	CLUTCH SHOE
219 582	F	FLOAT	223 601	A	MOTOR ENGINE
219 583	F	GASKET	223 602	D	RUBBER COVER
219 584	F	FUEL CONNECTION	223 603	F	INTAKE ELBOW
219 585	F	FUEL FILTER	223 605	F	VALVE
219 587	F	ADJUSTING SCREW	223 606	F	DUMPER
219 588	F	SPRING	223 607	H G	SET OF LOCKS
219 589	F	FLOAT VALVE	223 610	G	SEAT
219 590	F	GASKET	223 611	G	TWIN SEAT CARRIER
219 591	F	SPRING	223 619	G	GUIDE
219 592	F	SCREW	223 650	H	REAR FORK
219 593	F	FLOAT PIN	223 668	G	PIN
219 594	F	GASKET	223 669	G	COUPLING
219 595	F	FLOAT CHAMBER	223 670	G	LOCKET
219 596	F	COVER	223 672	G	LUGGAGE CARRIER
219 598	F	SCREW	223 676	G	GRIP PAINT
219 624	F	RUBBER BUSH	223 678	H	BEARING PIN
219 780	F	SEALING WASHER	223 680	H	SHOCK ABSORBER
219 871	F	PIN	223 681	J	BOTTOM FORK LUG
219 872	F	SPRING	223 684	J	HEADLAMP HOLDER
219 873	F	LEVER	223 691	K	MIRROR
219 874	F	SPRING	223 696	K	SPEEDOMETER
219 875	F	SET OF GASKET	223 697	K	RUBBER GASKET
219 946	G	RUBBER ABSORBER	223 698	K	DISTANCE TUBE
221 128	G	DISTANCE RING	223 699	K	GROMMET
221 406	D	HUB	223 700	K	THROTTLE TWIST GRIP
221 440	N	HORN	223 701	K	BRAKE LEVER
221 582	N	VOLTAGE REGULATOR	223 702	K	CLAMP
221 701	N	REAR LIGHT	223 703	K	CLAMP
221 993	N	RELAY	223 704	K	BRAKE LEVER
222 010	E	MAGNETO CPL 12V-50W	223 705	K	BRAKE LEVER
222 041	A	PISTON RING	223 706	K	THROTTLE TWIST GRIP
222 087	A	ENGINE COVER GASKET	223 707	K	SCREW
222 098	A	ENGINE COVER GASKET	223 708	K	SCREW
222 568	L	DISTANCE BUSH	223 709	K	SPRING
222 569	M	DISTANCE BUSH	223 710	K	SPRING
222 575	L,M	SPRING	223 711	K	GRIP LH
222 576	L,M	BRAKE CAM	223 712	K	HANDLEBAR COVERING RH
222 579	L,M	BRAKE LEVER	223 713	K	BUSH
222 580	L,M	WASHER	223 714	K	THROTTLE CONTROL CABLE
222 581	L,M	CABLE CLAMP BOLT	223 718	I	PROTECTIVE DISC RIGHT PAINT
222 582	L,M	SPRING	223 721	I	FOOTBOARD COVER PAINT.
222 583	M	PROTECTIVE PLATE	223 724	I	RUBBER PROTECTION
222 584	L	FRONT WHEEL SPINDLE	223 725	I	COVER
222 585	M	REAR WHEEL SPINDLE	223 727	I	COVER LH PAINT.
222 633	L	BASE PLATE	223 730	I	COVER RH PAINT.
222 635	M	BASE PLATE	223 733	I	TAIL END
222 848	J	WASHER	223 735	I	TAIL END SUPPORT
222 883	M	DISTANCE BUSH	223 739	K	WASHER
222 888	K	HANDLEBAR	223 740	I	STREAMER
223 025	F	LEVER	223 743	I	STREAMER COVER PAINT.
223 026	F	CHOKE PLATE	223 745	I	NAME PLATE CARRIER
223 027	F	SPRING	223 748	F	GASKET VALVE
223 112	M	CHAIN TENSION ADJUSTER LH	223 749	G	RUBBER RING
223 121	C	SPRING	223 750	G	FUEL TANK PAINT.
223 143	L,M	BRAKE SHOE CPL.	223 757	G	FILLER CAP
223 155	J	BEARING CUP TOP	223 759	G	FUEL FEED TAP
223 157	J	BEARING CUP BOTTOM	223 760	L	FRONT WHEEL CPL.
223 164	E	CONTACT BREAKER	223 761	L	FRONT WHEEL CPL.
223 166	E	CONDENSOR	223 762	L	FRONT WHEEL AL BLACK A5
223 168	E	BASE PLATE CPL	223 766	M	REAR WHEEL AL BLACK A5
223 169	E	PRIMARY COIL	223 769	B	CLUTCH SPRING
223 170	E	LIGHTING COIL	223 770	F	CARBURETOR
223 176	E	FLYWHEEL	223 773	H	FRONT MUDGUARD
223 421	B	CRANKSHAFT	223 776	H	FRONT MUDGUARD HOLDER*
223 423	B	GEAR WITH DRUMS	223 778	H	MUDGUARD STAY
223 428	B	CLUTCH I CPL.	223 780	H	PROTECTION
223 429	B	CLUTCH HUB	223 785	H	REAR MUDGUARD PAINT.
223 432	B	CLUTCH SHOE WITH INSERT PIECE	223 791	H	MUDGUARD STAY
223 434	B	PIN	223 793	H	PLATE
223 435	B	DRIVING GEAR	223 798	G	TOOL BAG
223 436	B	CLUTCH II CPL	223 799	G	CLAMP
223 440	A	CONTERING BUSH D 9.8x16	224 056	G	SPRING CLAMP
223 447	D	STARTER SHAFT	227 001	N	SWITCH LH
223 448	D	SPACER	227 002	N	SWITCH RH
223 456	C	MAINSHAFT	227 021	N	WIRE HARNESS
223 457	C	DRIVING GEAR	227 024	N	TRAFFICATOR
223 458	C	COUNTERSHAFT	227 025	N	TRAFFICATOR
223 461	C	2ND SPEED GEAR	227 031	N	TRAFFICATOR
223 463	C	DRUM	227 036	I	DECAL TOMOS
223 466	A	CYLINDER HEAD	227 037	I	DECAL
223 468	B	THRUST WASHER	227 038	I	DECAL
223 469	C	THRUST WASHER	227 039	I	DECAL HELMET HOLDER

www.apmoto.it
tel 051 584-123

INDEX

Part No.	Section	Description
227 040	I	REAR COVER PAINTED
227 050	H	SUPPORTING TUBE
227 053	H	FOOTREST
227 054	H	FOOTREST RIGHT
227 060	H	FOOTREST RUBBER
227 061	H	SECURING PLATE
227 076	G	EXHAUST SILENCER
227 101	N	HEADLAMP INSERT PIECE
227 105	I	COVER
227 106	I	COVER
227 119	N	BULB HOLDER
227 144	A	CYLINDER GASKET
227 145	A	CYLINDER HEAD GASKET
227 149	G	EXHAUST FLANGE GASKET
227 164	K	BULB HOLDER
227 169	K	BOLT
227 191	N	STOP SWITCH
227 192	K	REAR BRAKE CONTROL CABLE
227 194	C	RUN WHEEL
227 242	N	HEADLAMP
227 307	J	FRONT FORK
227 321	K	FRONT BRAKE CONTROL CABLE
227 324	F	SEAL RING
227 326	F	REDUCING BUSH
227 327	F	NUT M6
227 328	F	CHOKE LEVER
227 329	F	REGULATING SCREW
227 332	A	CRANKCASE WITH COVER CPL.
227 343	J	FORK LUG
227 346	H	FRAME PAINTED
227 349	M	CHAIN
227 353	G	SEAL RING
227 357	M	REAR WHEEL CPL.
227 358	M	REAR WHEEL AL 24B BLACK
227 361	M	CHAIN SPROCKET
227 398	A	CYLINDER WITH PIS. CPL.
227 399	A	PISTON
227 402	G	EXHAUST CPL.
227 404	A	SET OF GASKET
227 450	L,M	WASHER
227 459	B	CONNECTING ROD CPL.
227 469	H	FOOTREST CPL.
227 470	J	SET OF HANDLEBAR BEARINGS
227 471	H	FOOTREST LEFT CPL.
227 474	N	STREAMER COVER
227 485	L	DISTANCE BUSH
227 488	I	COVER BOTTOM
227 501	A	PISTON BOLT
227 507	N	HEADLAMP HOUSING
227 514	D	STARTER ASSY
227 545	I	STREAMER PAINTED
227 595	N	SWITCH LH
227 662	L	FRONT WHEEL
227 663	M	REAR WHEEL
227 664	L	FRONT WHEEL WITH TYRE WHITE
227 665	L	FRONT WHEEL CPL.
227 666	M	REAR WHEEL CPL. WITH TYRE
227 667	M	REAR WHEEL CPL.
227 724	D	STARTER LEVER
227 758	A	PISTON RING
227 849	B	CLUTCH I CPL.
227 996	K	SPRING RH
260 216	D	THRUST BOLT
260 217	D	SPRING

www.agmoto.hr
Tel 051-584-123